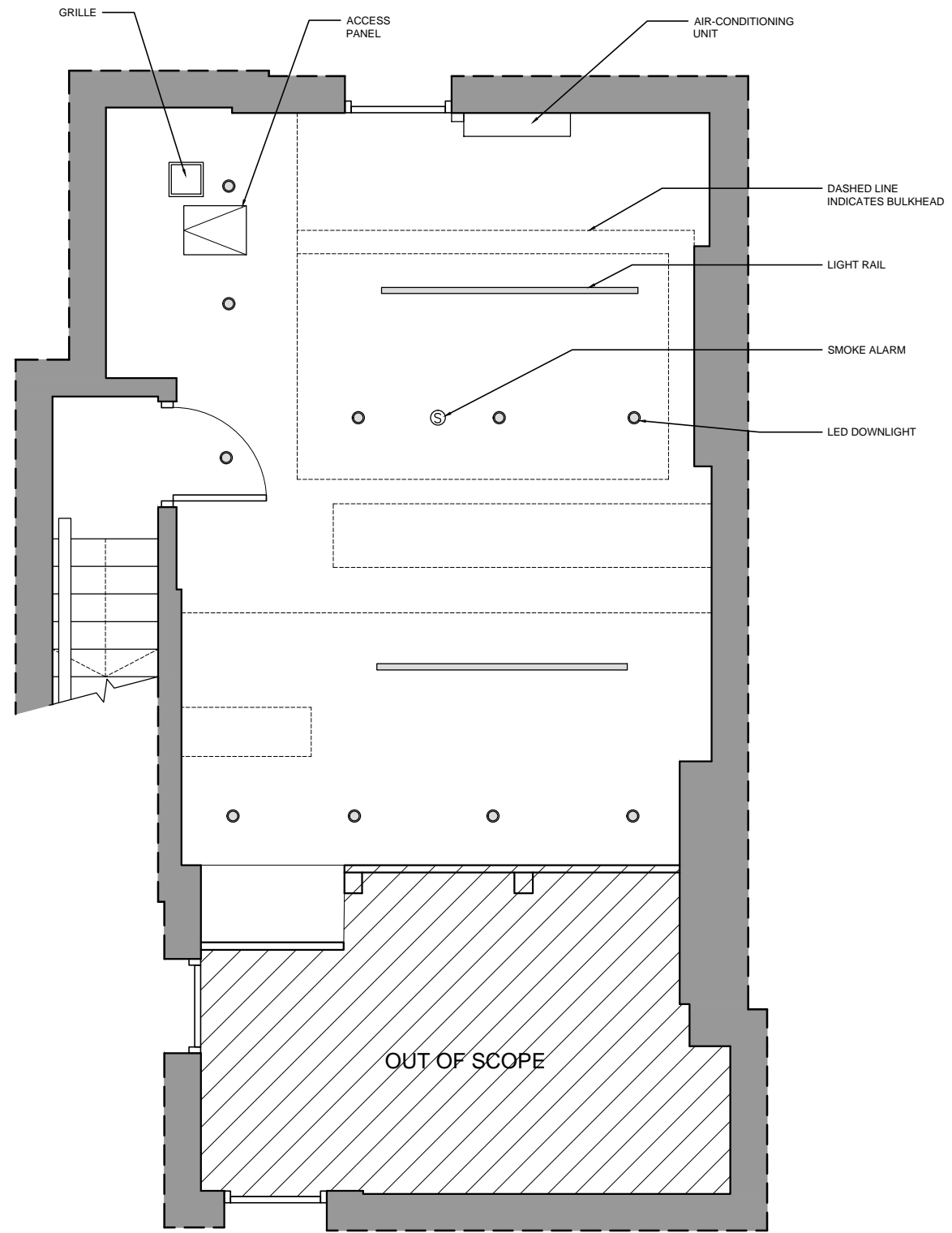


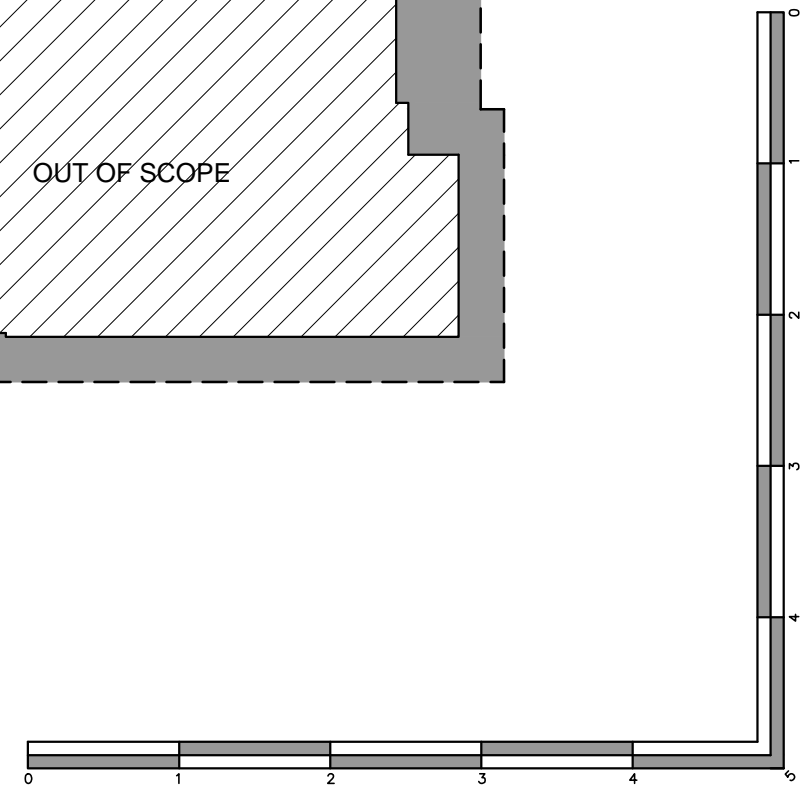
01 BASEMENT PLAN
SCALE 1:50 @ A3

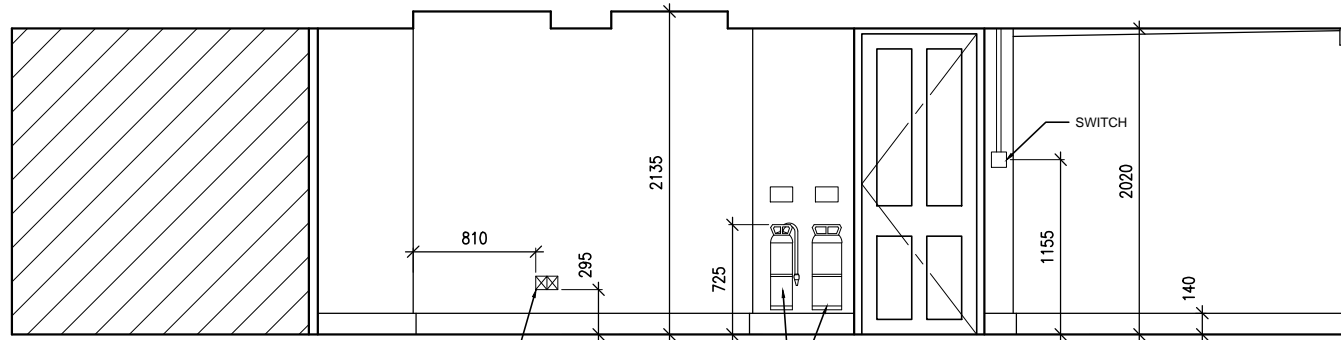


02 BASEMENT REFLECTED CEILING PLAN
SCALE 1:50 @ A3

COPYRIGHT TO RL DESIGN SERVICES

| | |
|---|----------------|
| DRAWING STATUS | |
| DETAIL DRAWING | |
| NOTES | |
| <ul style="list-style-type: none"> DO NOT SCALE FROM THIS DRAWING CONTRACTOR IS RESPONSIBLE FOR CHECKING DIMENSIONS ON SITE | |
| REVISION | |
| PROJECT | |
| 19 Greek St London W1D 4DT | |
| DRAWING TITLE | |
| Basement Plans | |
| DATE | |
| DECEMBER 2018 | |
| DRAWN BY | SCALE |
| R LLOYD | 1:50 @ A3 |
| JOB NUMBER | DRAWING NUMBER |
| 1810JA | DE.01 |

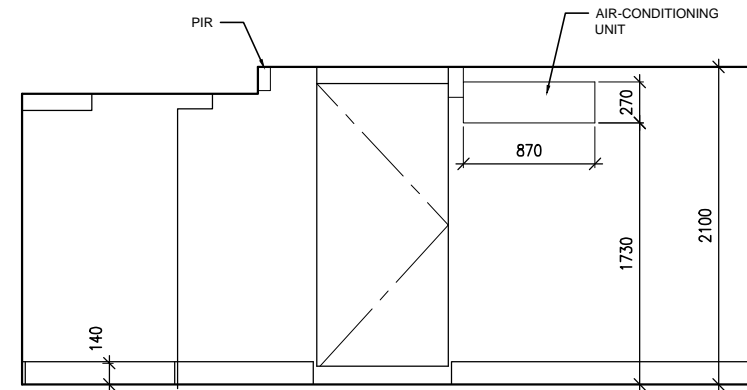




01 BASEMENT ELEVATION A
SCALE 1:50 @ A3

DOUBLE POWER
OUTLET

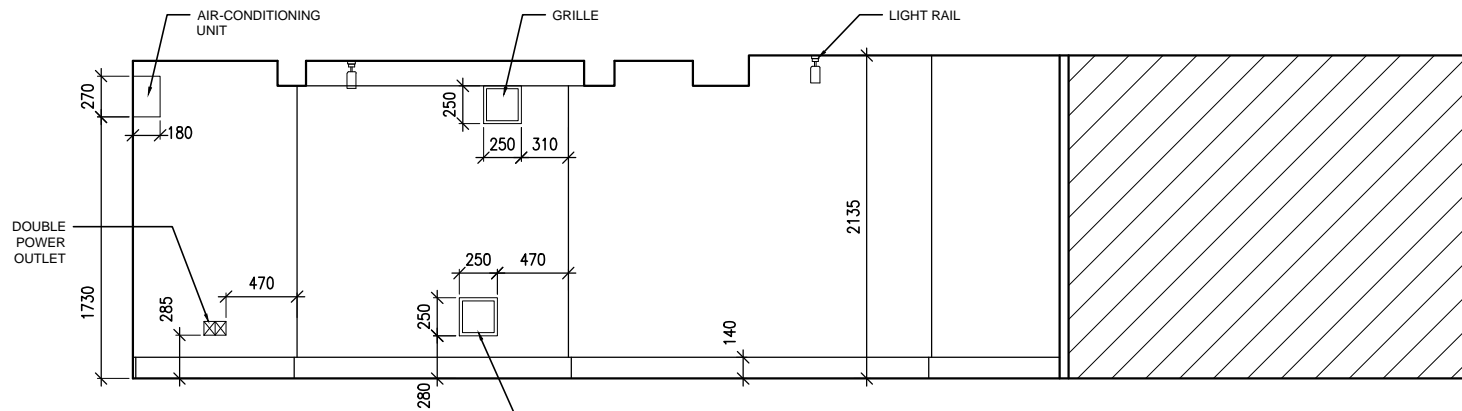
FIRE EXTINGUISHERS



02 BASEMENT ELEVATION B
SCALE 1:50 @ A3

PIR

AIR-CONDITIONING
UNIT



03 BASEMENT ELEVATION C
SCALE 1:50 @ A3

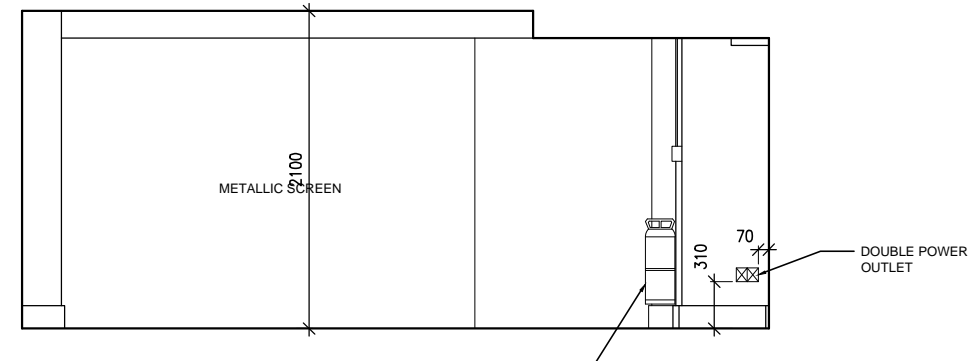
DOUBLE
POWER
OUTLET

AIR-CONDITIONING
UNIT

GRILLE

LIGHT RAIL

GRILLE



04 BASEMENT ELEVATION D
SCALE 1:50 @ A3

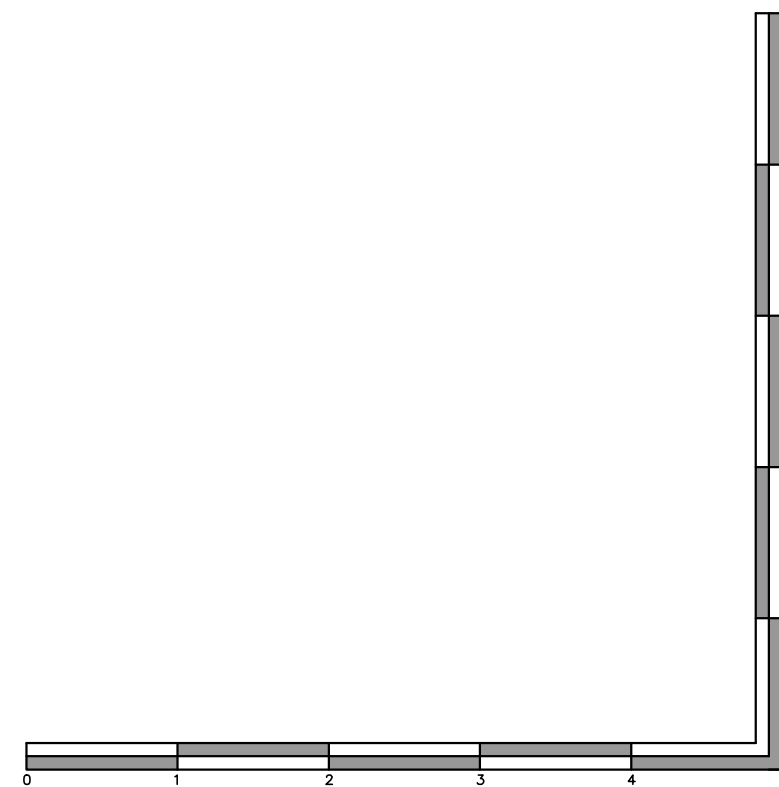
METALLIC SCREEN

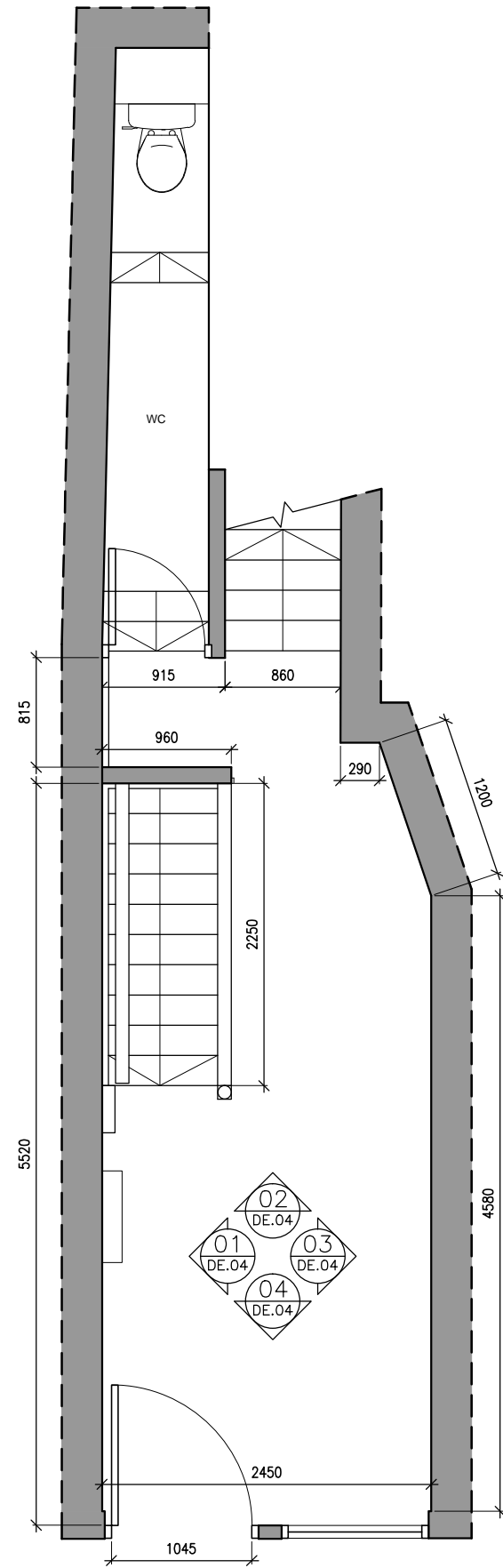
FIRE EXTINGUISHERS

DOUBLE POWER
OUTLET

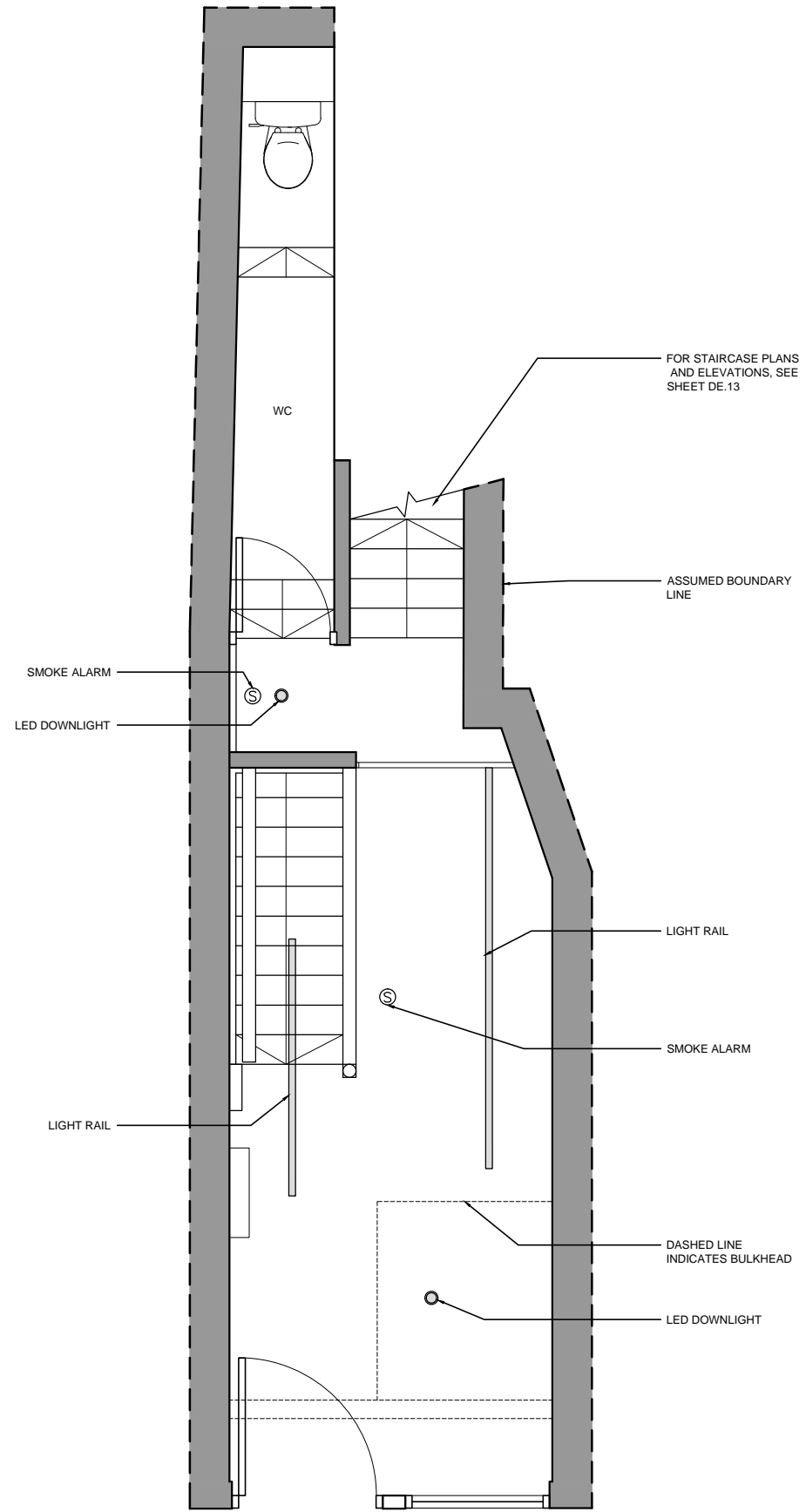
COPYRIGHT TO RL DESIGN SERVICES

| | |
|---|----------------|
| DRAWING STATUS | |
| DETAIL DRAWING | |
| NOTES | |
| <ul style="list-style-type: none"> DO NOT SCALE FROM THIS DRAWING CONTRACTOR IS RESPONSIBLE FOR CHECKING DIMENSIONS ON SITE | |
| REVISION | |
| PROJECT | |
| 19 Greek St London W1D 4DT | |
| DRAWING TITLE | |
| Basement Elevations | |
| DATE | |
| DECEMBER 2018 | |
| DRAWN BY | SCALE |
| R LLOYD | 150 @ A3 |
| JOB NUMBER | DRAWING NUMBER |
| 1810JA | DE.02 |

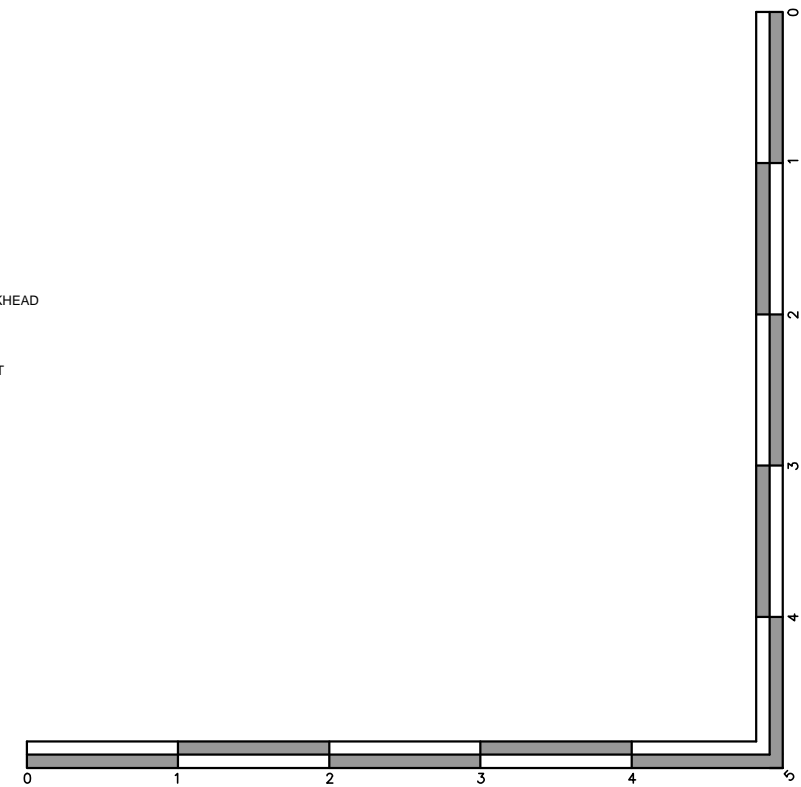




01 GROUND FLOOR PLAN
SCALE 1:50 @ A3

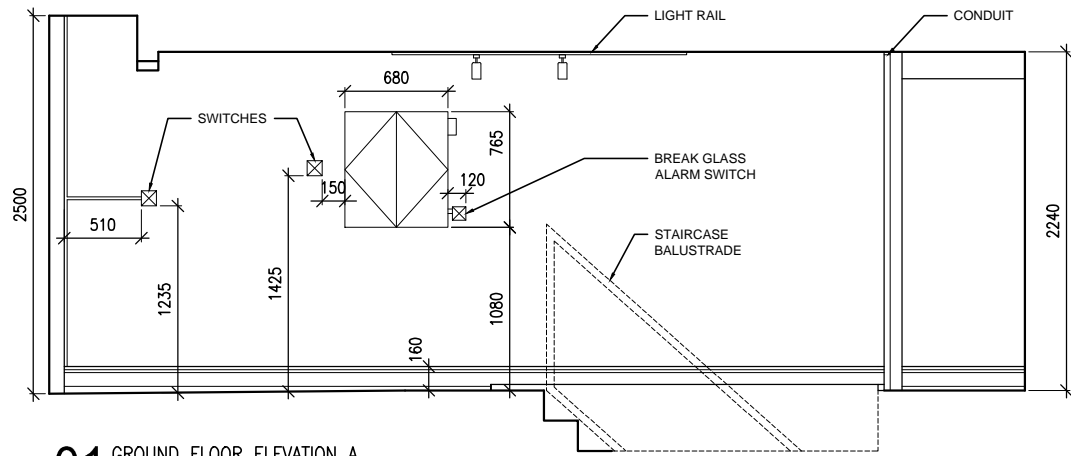


02 GROUND FLOOR REFLECTED CEILING PLAN
SCALE 1:50 @ A3

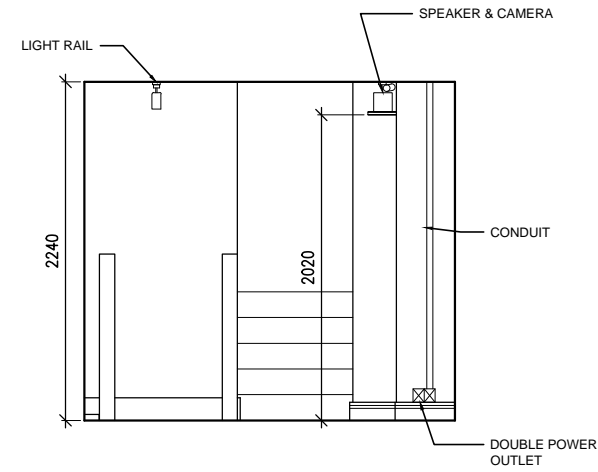


COPYRIGHT TO RL DESIGN SERVICES

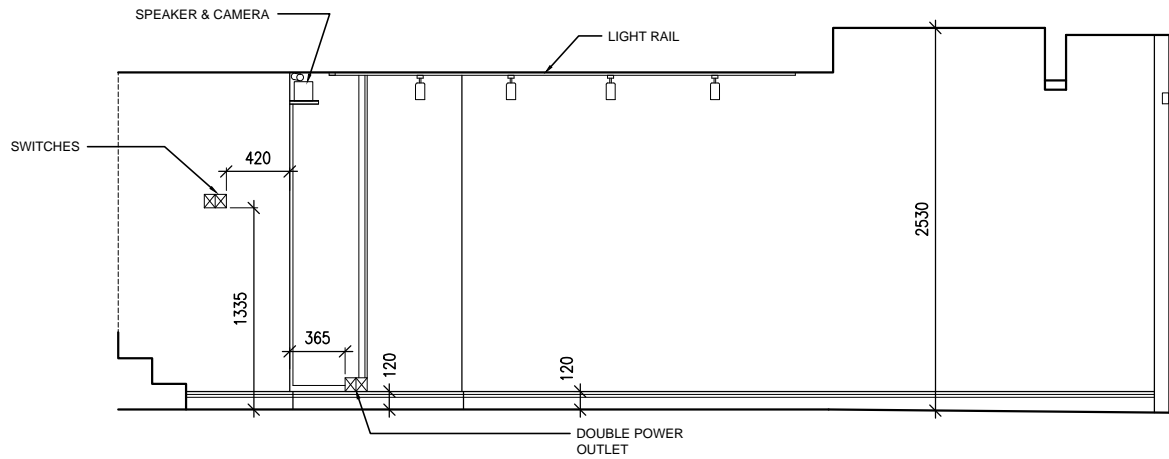
| | |
|---|----------------|
| DRAWING STATUS | |
| DETAIL DRAWING | |
| NOTES | |
| <ul style="list-style-type: none"> DO NOT SCALE FROM THIS DRAWING CONTRACTOR IS RESPONSIBLE FOR CHECKING DIMENSIONS ON SITE | |
| REVISION | |
| PROJECT | |
| 19 Greek St London W1D 4DT | |
| DRAWING TITLE | |
| Ground Floor Plans | |
| DATE | |
| DECEMBER 2018 | |
| DRAWN BY | SCALE |
| R LLOYD | 150 @ A3 |
| JOB NUMBER | DRAWING NUMBER |
| 1810JA | DE.03 |



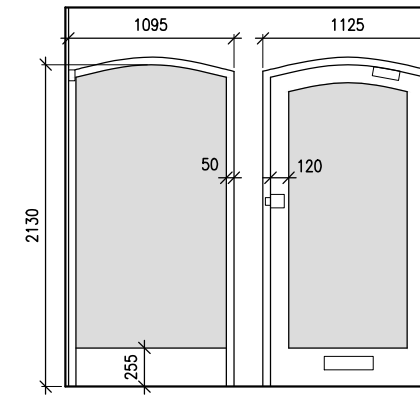
01 GROUND FLOOR ELEVATION A
SCALE 1:50 @ A3



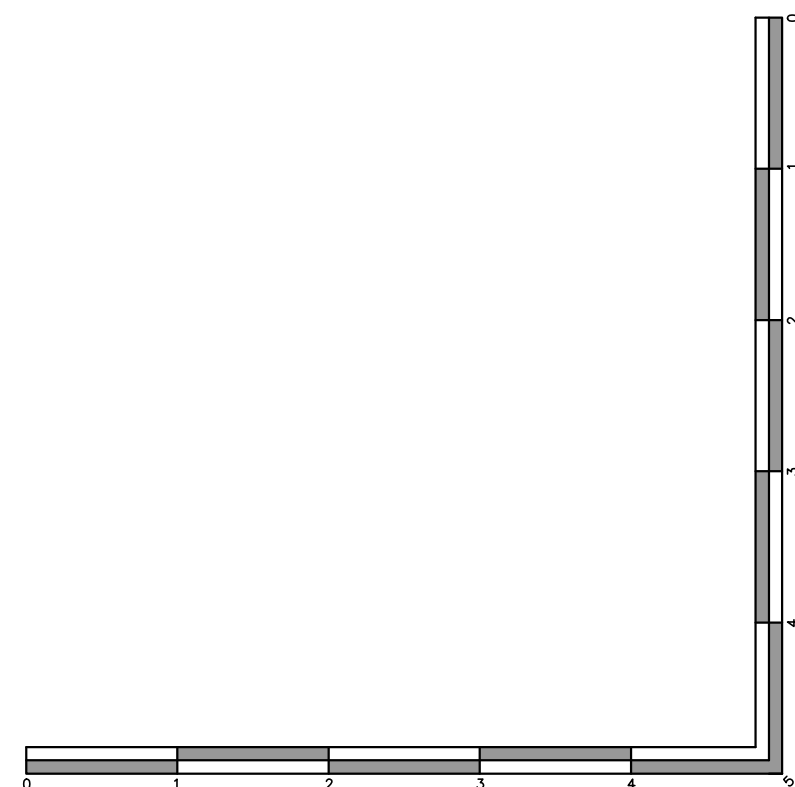
02 GROUND FLOOR ELEVATION B
SCALE 1:50 @ A3



03 GROUND FLOOR ELEVATION C
SCALE 1:50 @ A3

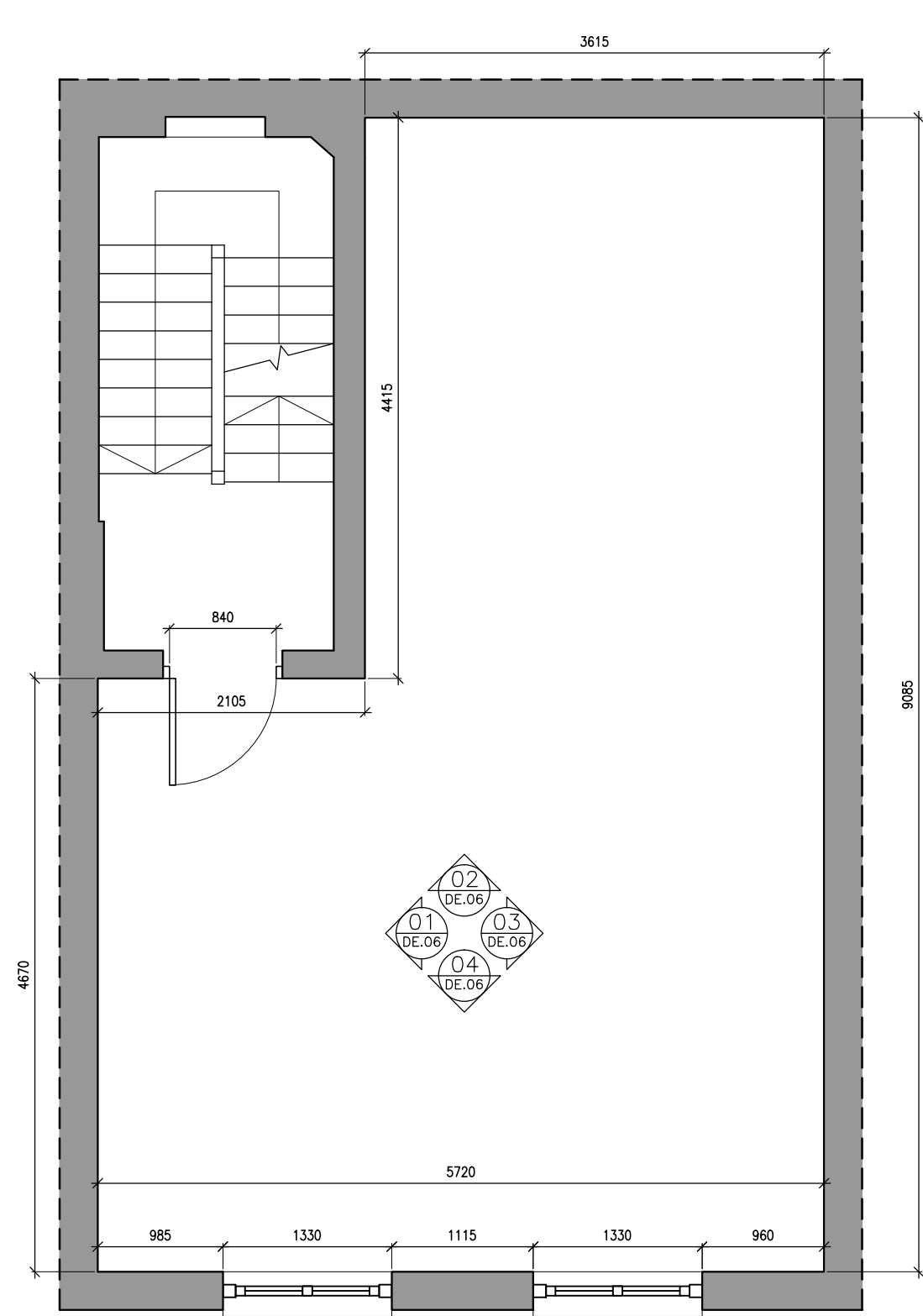


04 GROUND FLOOR ELEVATION D
SCALE 1:50 @ A3



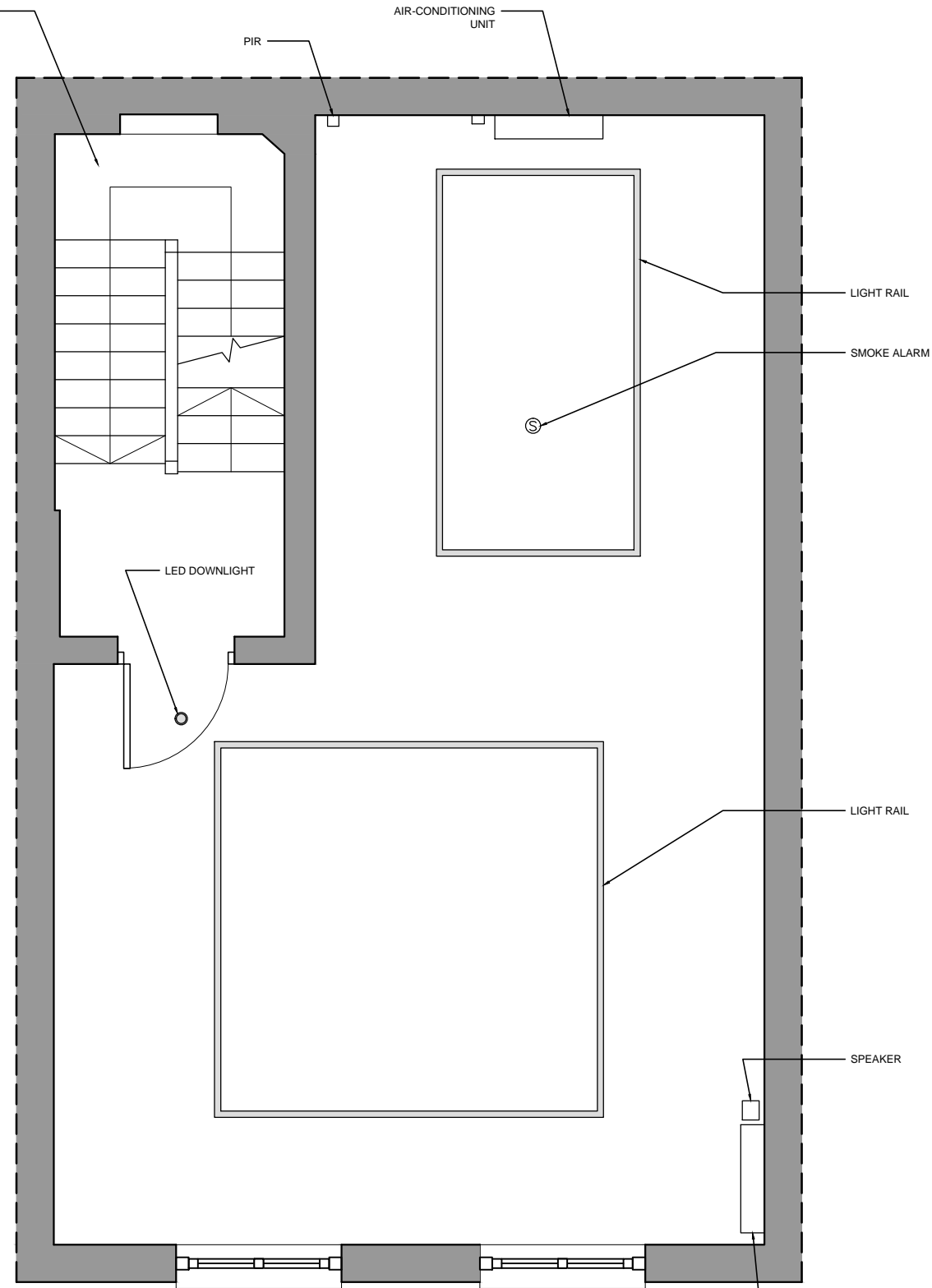
COPYRIGHT TO RL DESIGN SERVICES

| | |
|---|----------------|
| DRAWING STATUS | |
| DETAIL DRAWING | |
| NOTES | |
| <ul style="list-style-type: none"> DO NOT SCALE FROM THIS DRAWING CONTRACTOR IS RESPONSIBLE FOR CHECKING DIMENSIONS ON SITE | |
| REVISION | |
| PROJECT | |
| 19 Greek St London W1D 4DT | |
| DRAWING TITLE | |
| Ground Floor Elevations | |
| DATE | |
| DECEMBER 2018 | |
| DRAWN BY | SCALE |
| R LLOYD | 1:50 @ A3 |
| JOB NUMBER | DRAWING NUMBER |
| 1810JA | DE.04 |



01 FIRST FLOOR PLAN
SCALE 1:50 @ A3

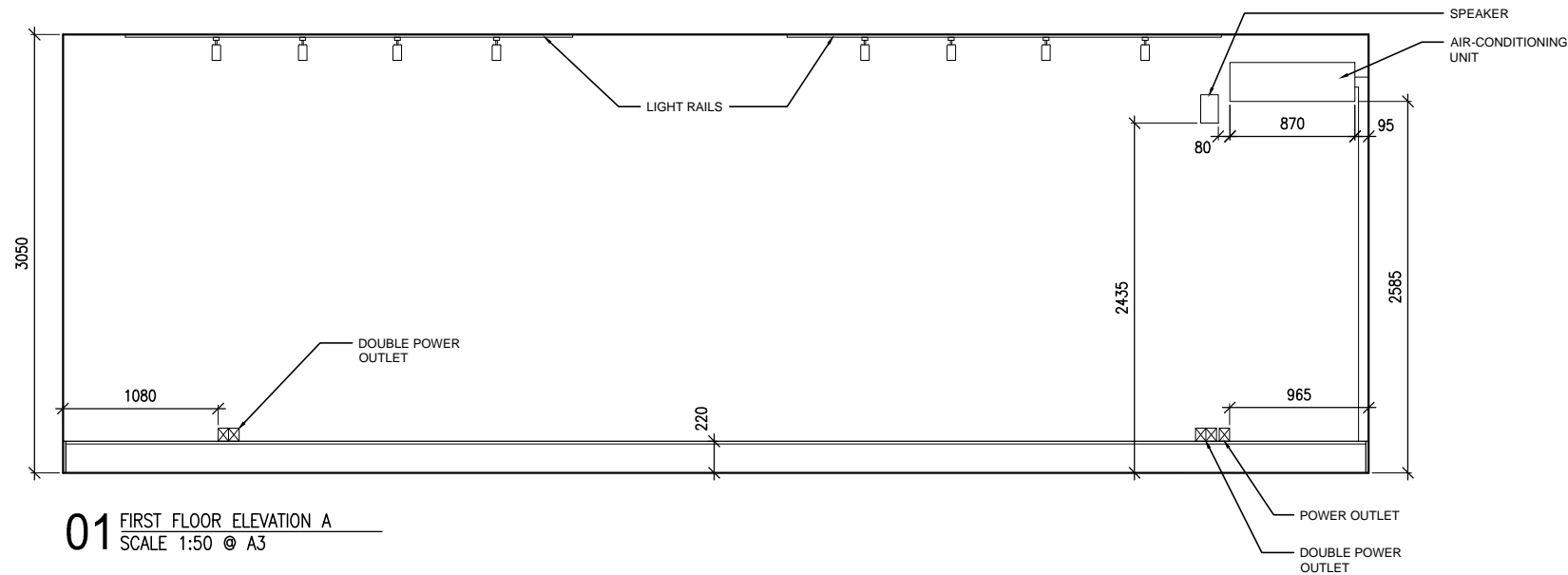
FOR STAIRCASE PLANS
AND ELEVATIONS, SEE
SHEET DE.13



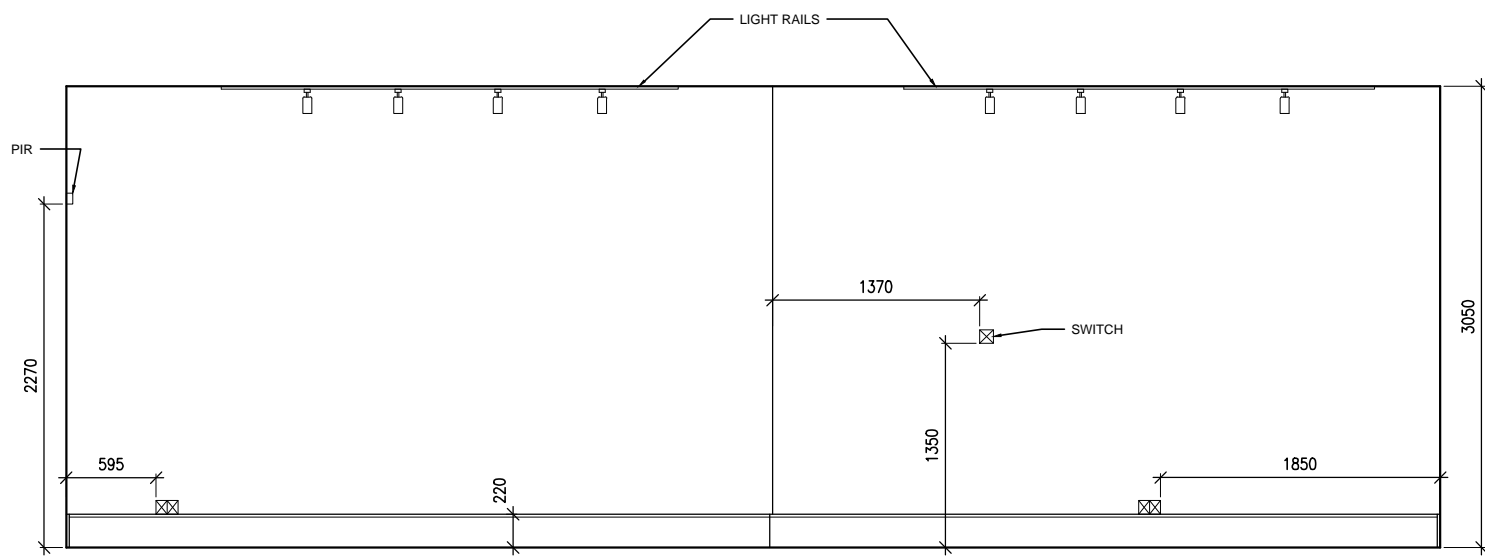
02 FIRST FLOOR REFLECTED CEILING PLAN
SCALE 1:50 @ A3

COPYRIGHT TO RL DESIGN SERVICES

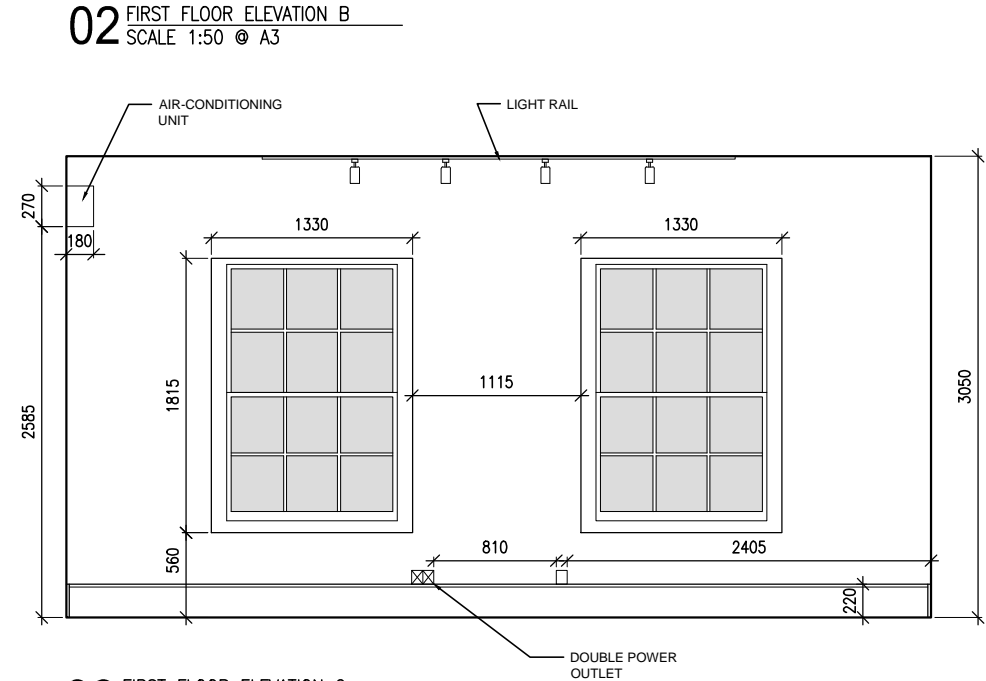
| | |
|---|----------------|
| DRAWING STATUS | |
| DETAIL DRAWING | |
| NOTES | |
| <ul style="list-style-type: none"> DO NOT SCALE FROM THIS DRAWING CONTRACTOR IS RESPONSIBLE FOR CHECKING DIMENSIONS ON SITE | |
| REVISION | |
| PROJECT | |
| 19 Greek St London W1D 4DT | |
| DRAWING TITLE | |
| First Floor Plans | |
| DATE | |
| DECEMBER 2018 | |
| DRAWN BY | SCALE |
| R LLOYD | 1:50 @ A3 |
| JOB NUMBER | DRAWING NUMBER |
| 1810JA | DE.05 |



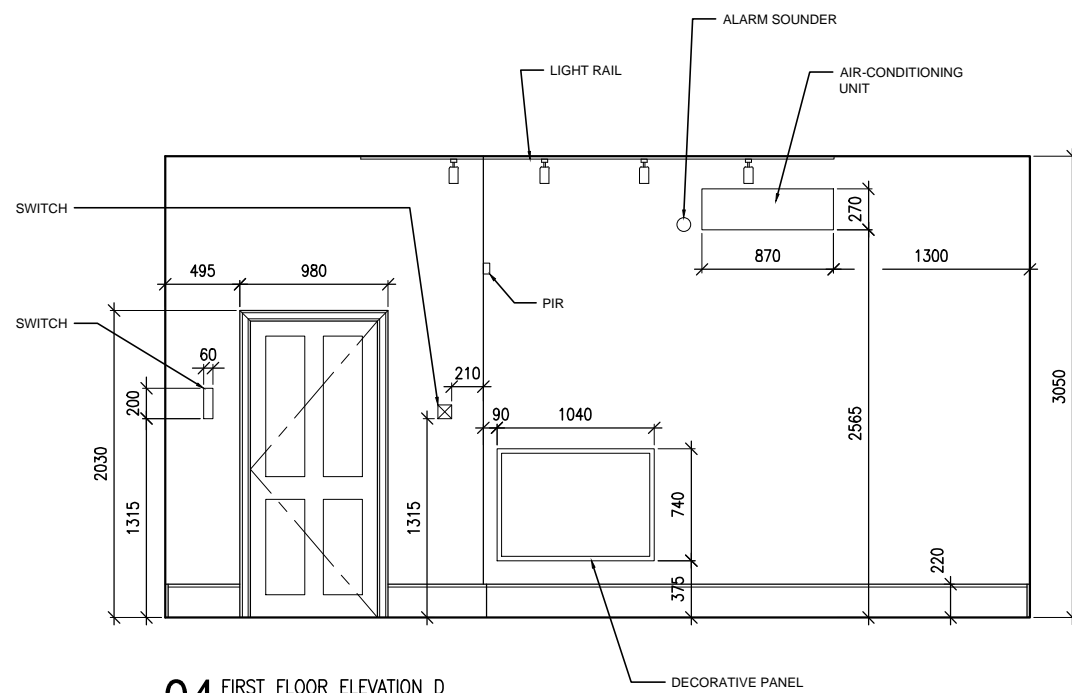
01 FIRST FLOOR ELEVATION A
SCALE 1:50 @ A3



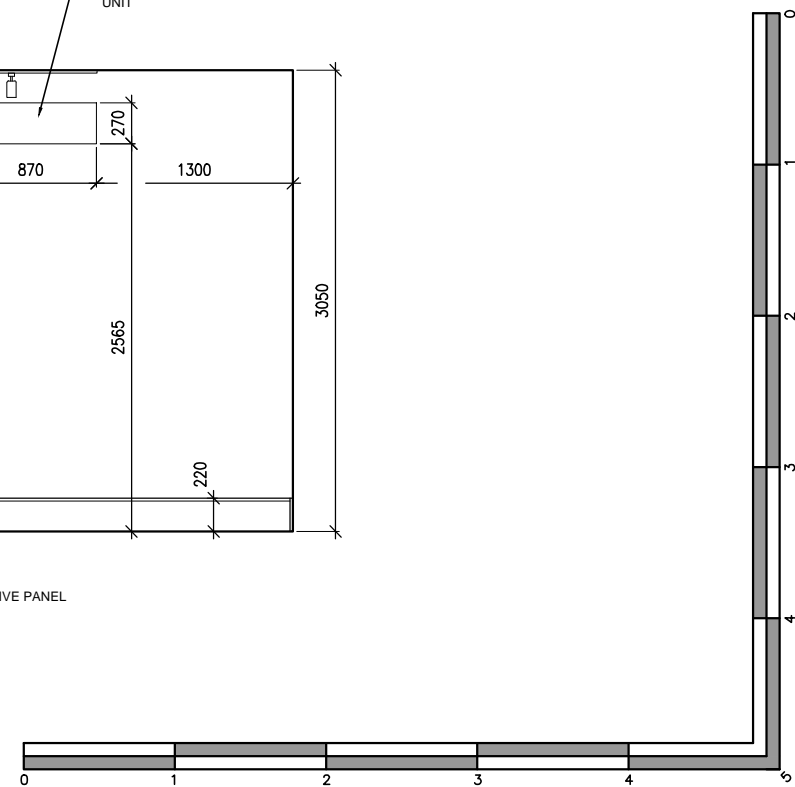
02 FIRST FLOOR ELEVATION B
SCALE 1:50 @ A3



03 FIRST FLOOR ELEVATION C
SCALE 1:50 @ A3

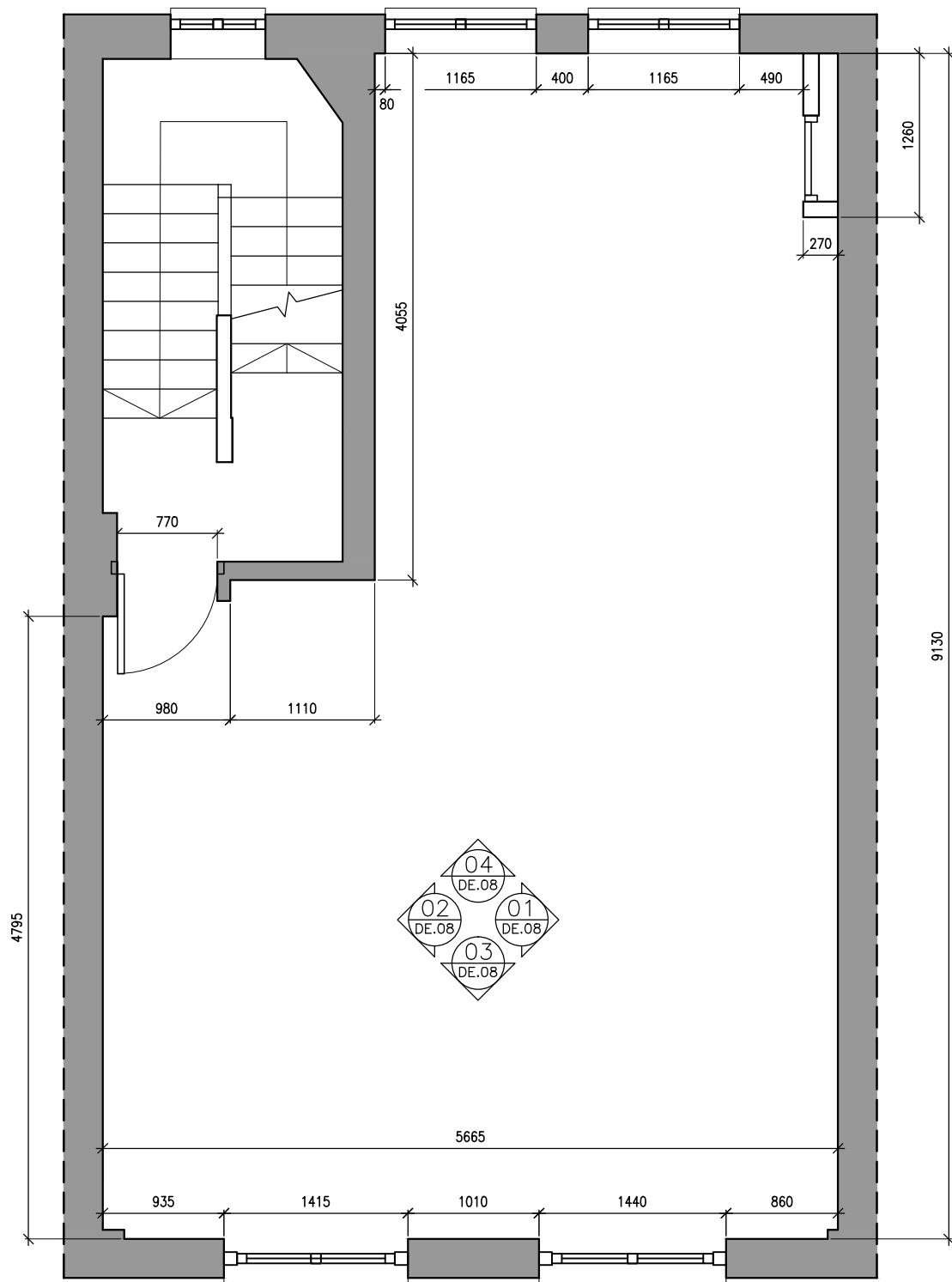


04 FIRST FLOOR ELEVATION D
SCALE 1:50 @ A3



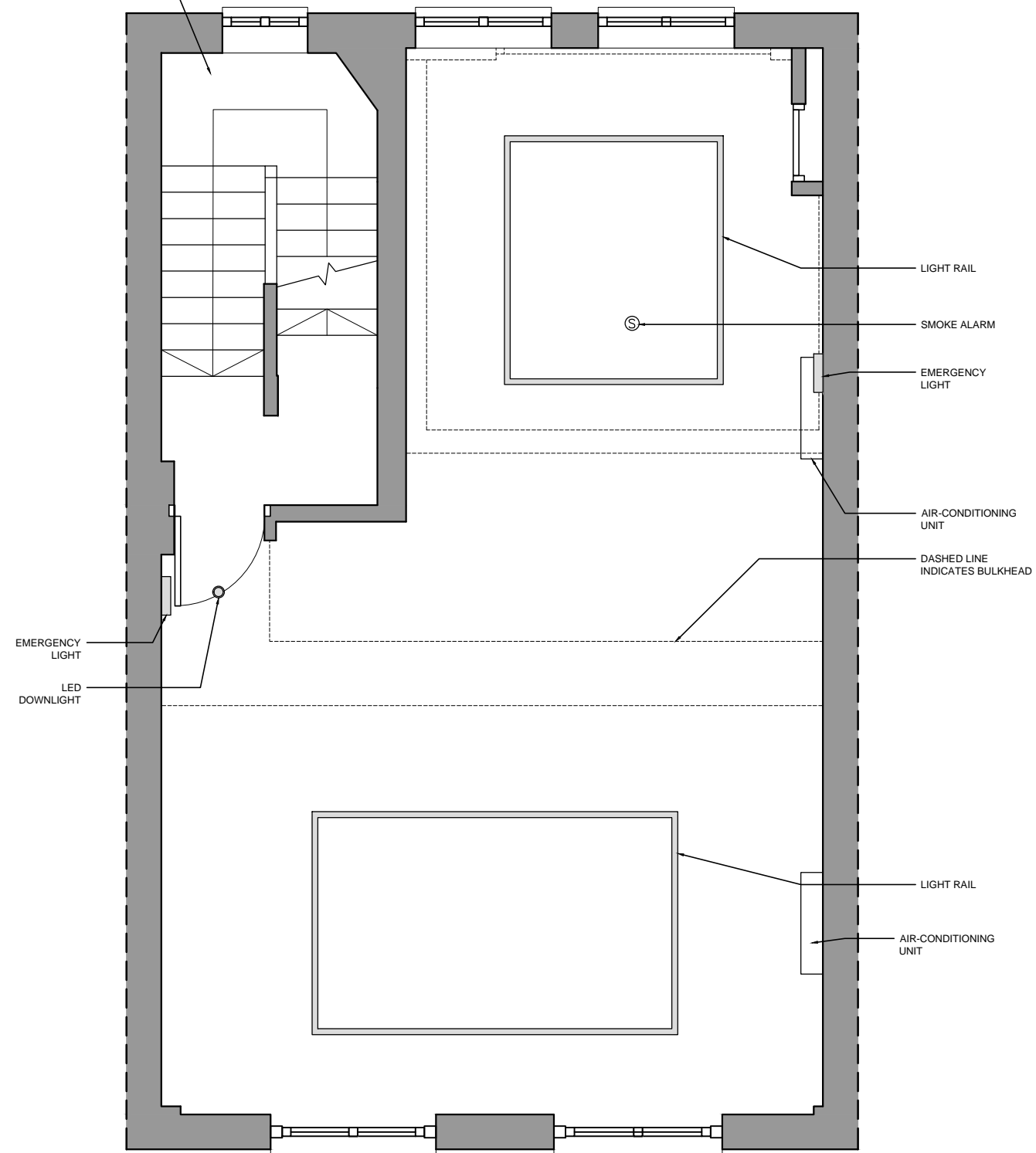
COPYRIGHT TO RL DESIGN SERVICES

| | |
|--|----------------|
| DRAWING STATUS | |
| DETAIL DRAWING | |
| NOTES | |
| <ul style="list-style-type: none"> • DO NOT SCALE FROM THIS DRAWING • CONTRACTOR IS RESPONSIBLE FOR • CHECKING DIMENSIONS ON SITE | |
| REVISION | |
| PROJECT | |
| 19 Greek St London W1D 4DT | |
| DRAWING TITLE | |
| First Floor Elevations | |
| DATE | |
| DECEMBER 2018 | |
| DRAWN BY | SCALE |
| R LLOYD | 1:50 @ A3 |
| JOB NUMBER | DRAWING NUMBER |
| 1810JA | DE.06 |



01 SECOND FLOOR PLAN
SCALE 1:50 @ A3

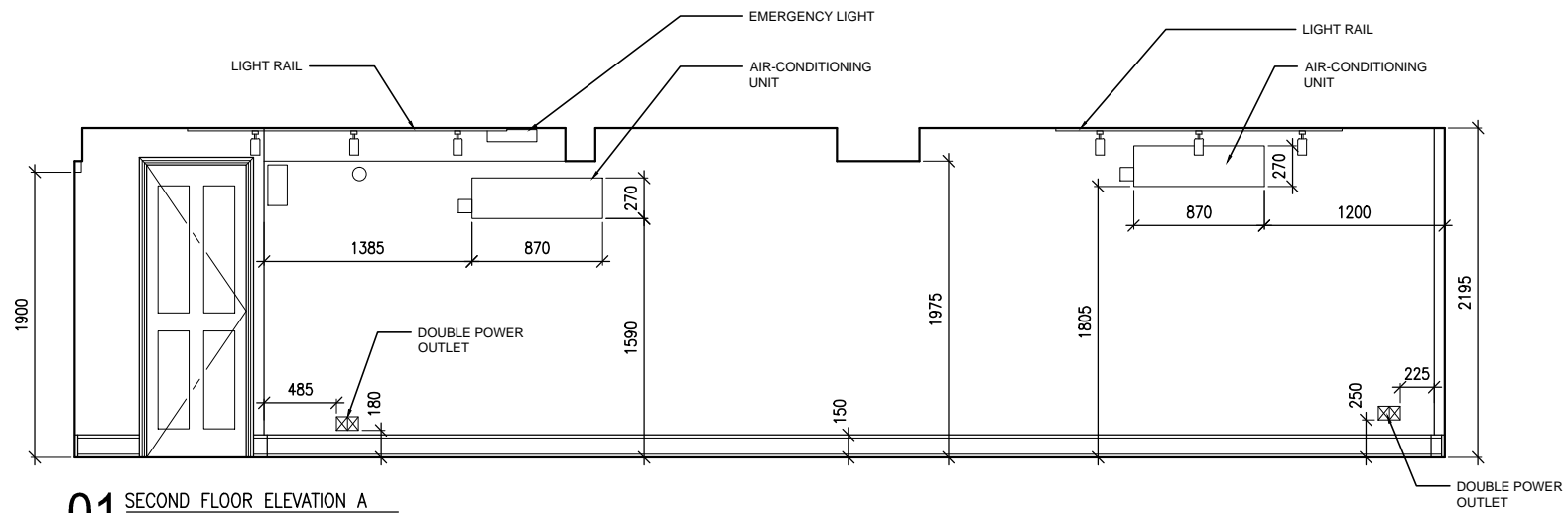
FOR STAIRCASE PLANS
AND ELEVATIONS, SEE
SHEET DE.14



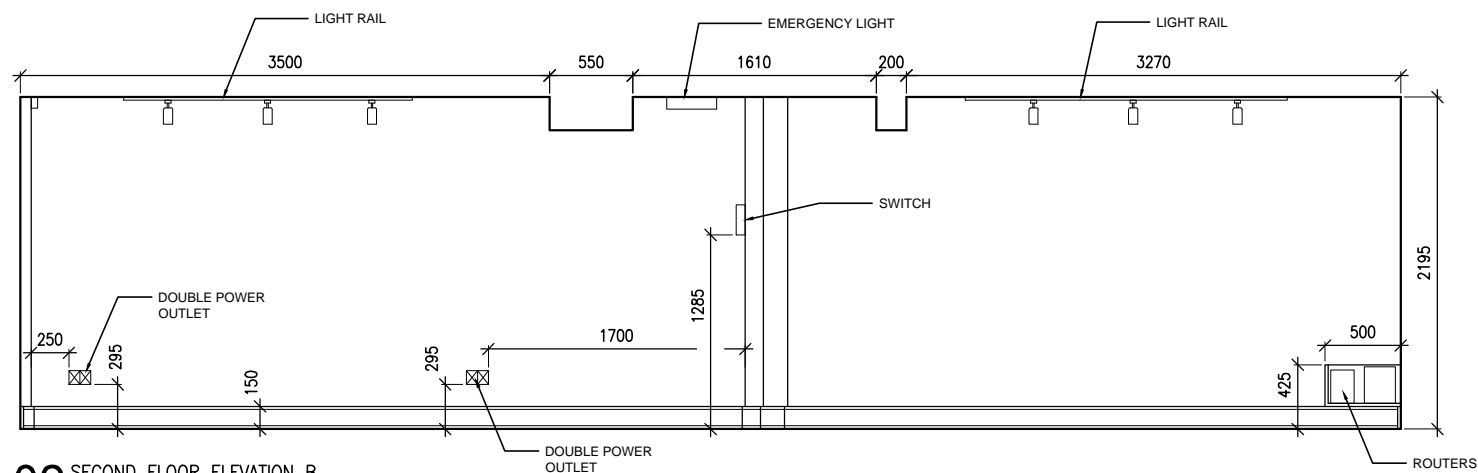
02 SECOND FLOOR REFLECTED CEILING PLAN
SCALE 1:50 @ A3

COPYRIGHT TO RL DESIGN SERVICES

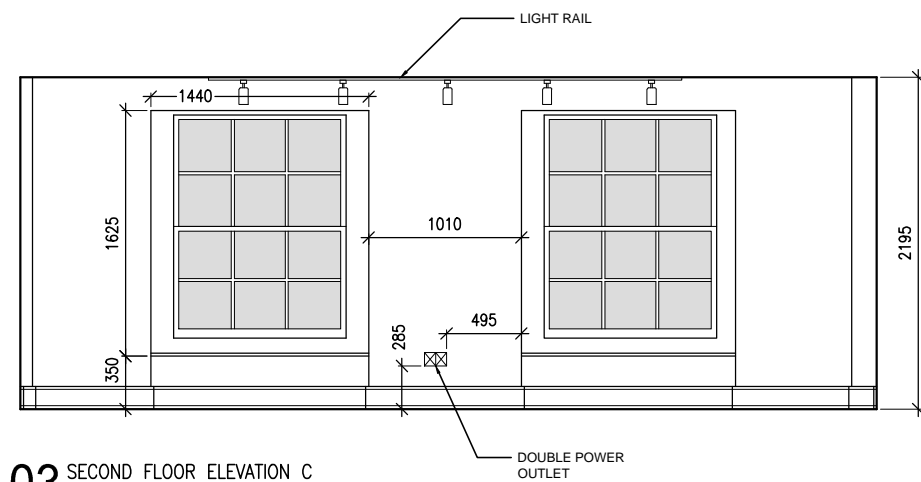
| | |
|---|----------------|
| DRAWING STATUS | |
| DETAIL DRAWING | |
| NOTES | |
| <ul style="list-style-type: none"> DO NOT SCALE FROM THIS DRAWING CONTRACTOR IS RESPONSIBLE FOR CHECKING DIMENSIONS ON SITE | |
| REVISION | |
| PROJECT | |
| 19 Greek St London W1D 4DT | |
| DRAWING TITLE | |
| Second Floor Plans | |
| DATE | |
| DECEMBER 2018 | |
| DRAWN BY | SCALE |
| R LLOYD | 1:50 @ A3 |
| JOB NUMBER | DRAWING NUMBER |
| 1810JA | DE.07 |



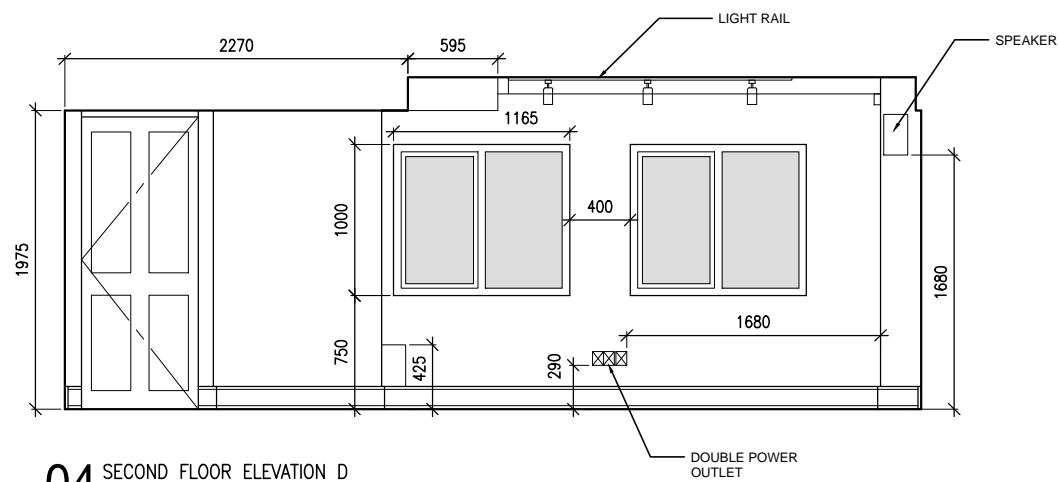
01 SECOND FLOOR ELEVATION A
SCALE 1:50 @ A3



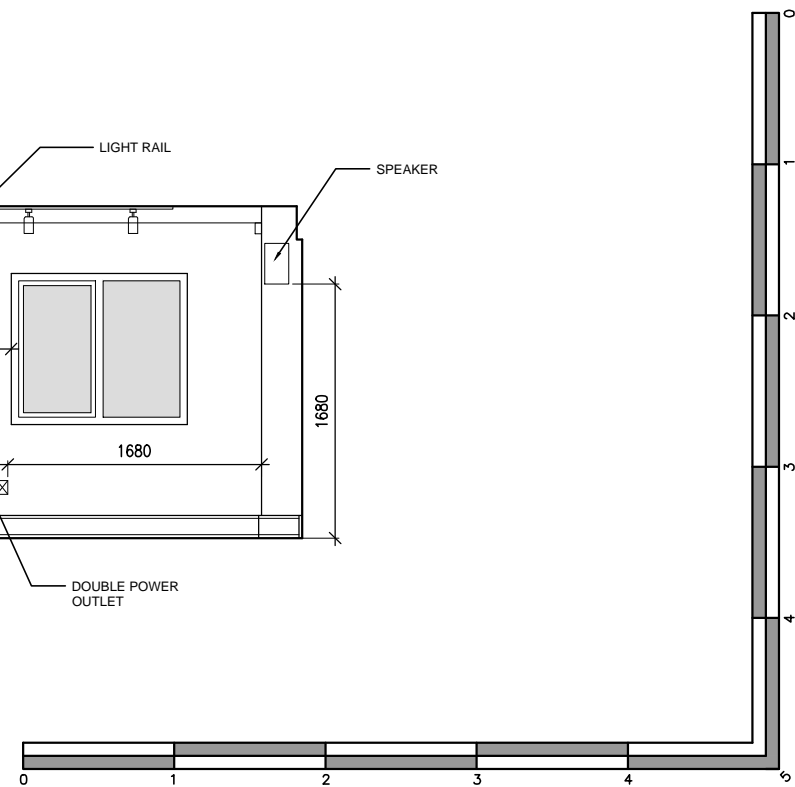
02 SECOND FLOOR ELEVATION B
SCALE 1:50 @ A3



03 SECOND FLOOR ELEVATION C
SCALE 1:50 @ A3



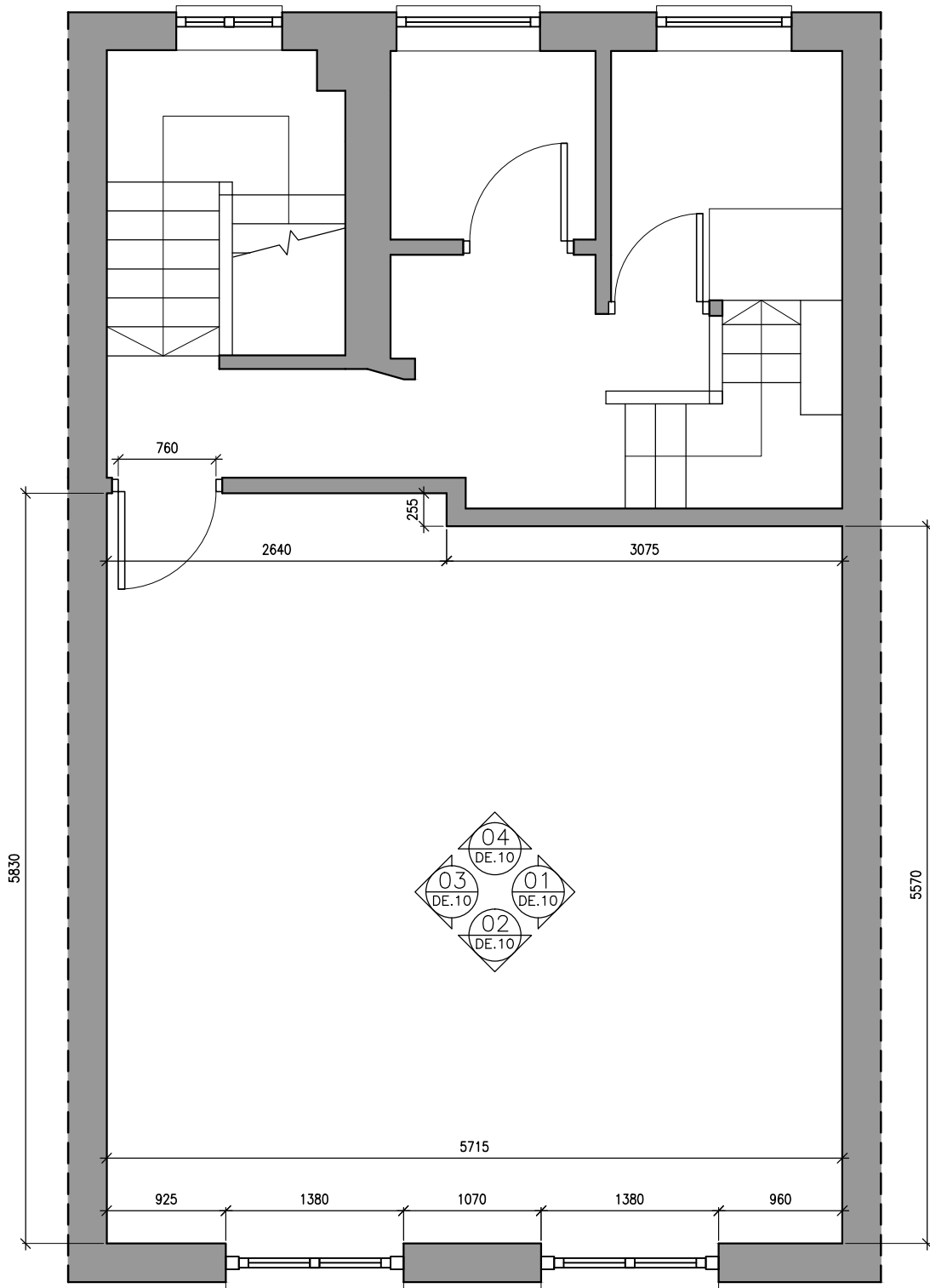
04 SECOND FLOOR ELEVATION D
SCALE 1:50 @ A3



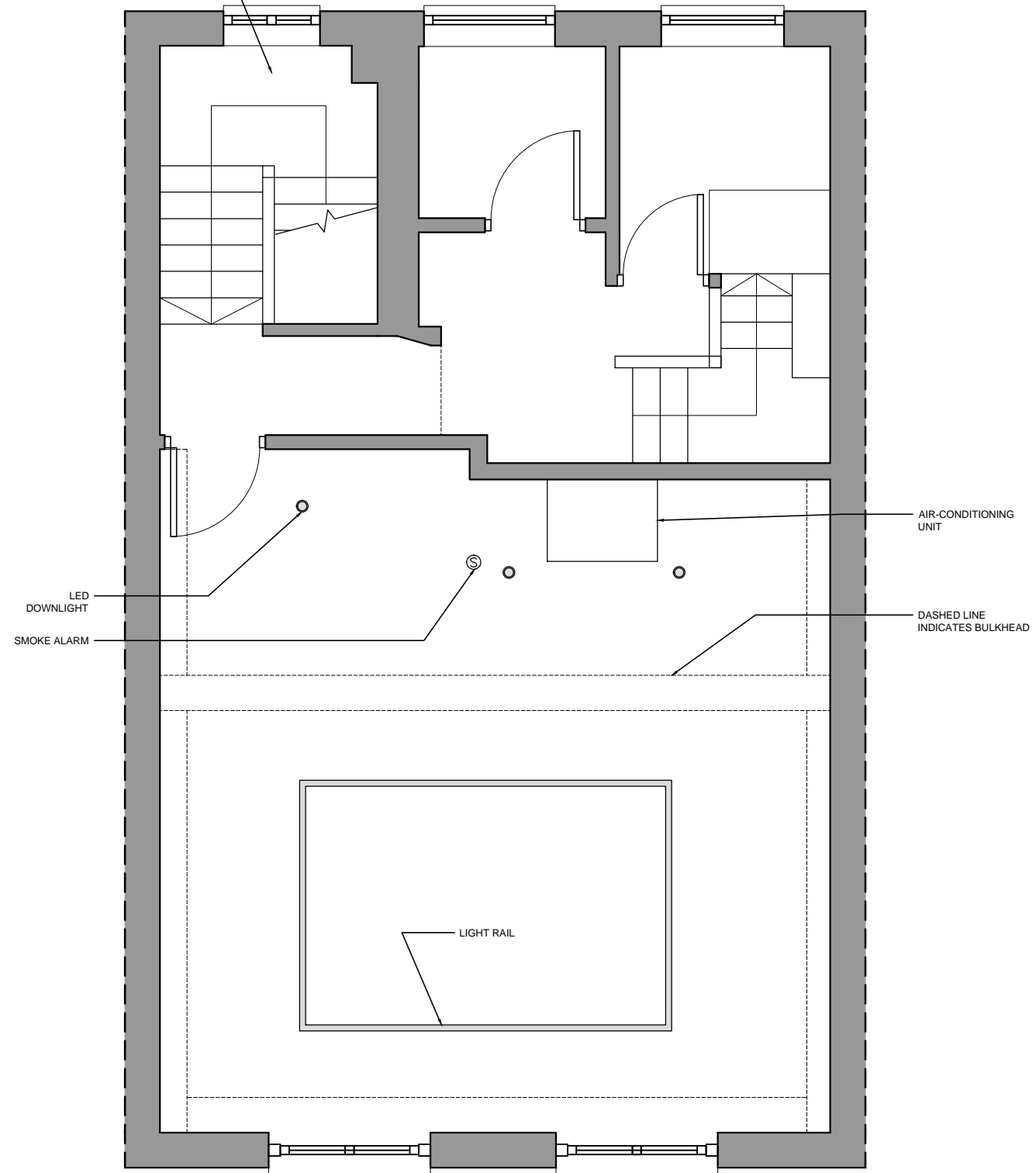
COPYRIGHT TO RL DESIGN SERVICES

| | |
|---|----------------|
| DRAWING STATUS | |
| DETAIL DRAWING | |
| NOTES | |
| <ul style="list-style-type: none"> DO NOT SCALE FROM THIS DRAWING CONTRACTOR IS RESPONSIBLE FOR CHECKING DIMENSIONS ON SITE | |
| REVISION | |
| PROJECT | |
| 19 Greek St London W1D 4DT | |
| DRAWING TITLE | |
| Second Floor Elevations | |
| DATE | |
| DECEMBER 2018 | |
| DRAWN BY | SCALE |
| R LLOYD | 1:50 @ A3 |
| JOB NUMBER | DRAWING NUMBER |
| 1810JA | DE.08 |

FOR STAIRCASE PLANS
AND ELEVATIONS, SEE
SHEET DE.15



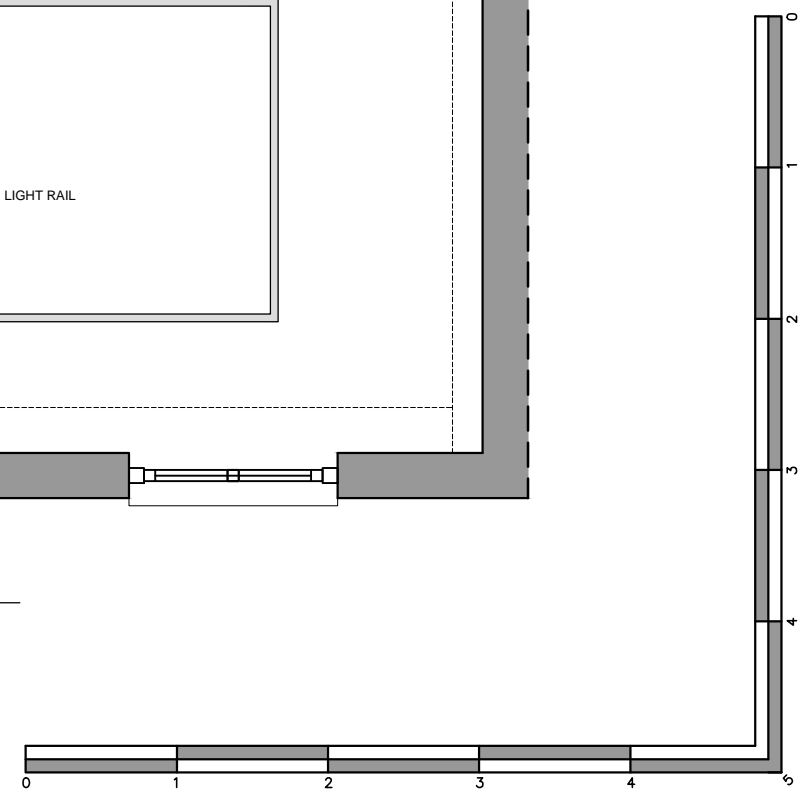
01 THIRD FLOOR PLAN
SCALE 1:50 @ A3

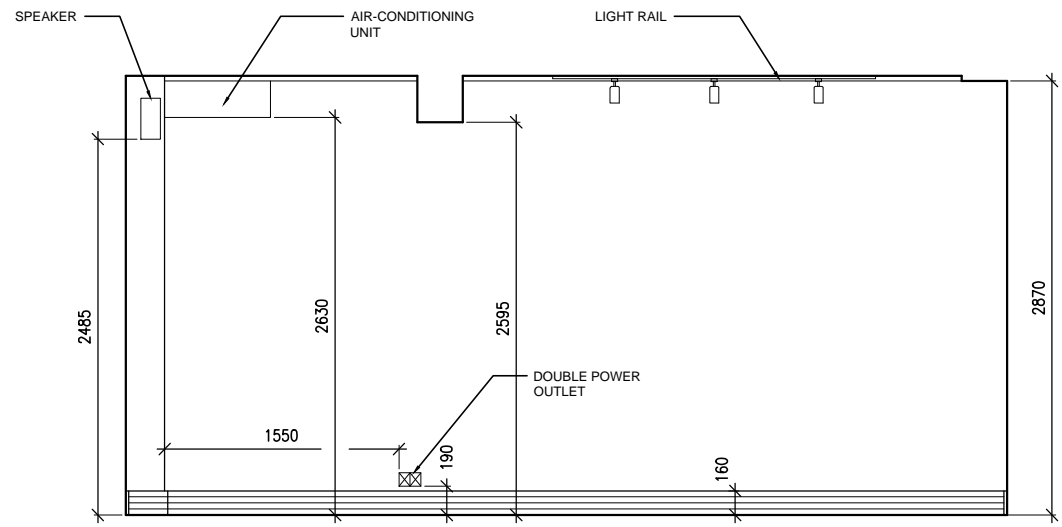


02 THIRD FLOOR REFLECTED CEILING PLAN
SCALE 1:50 @ A3

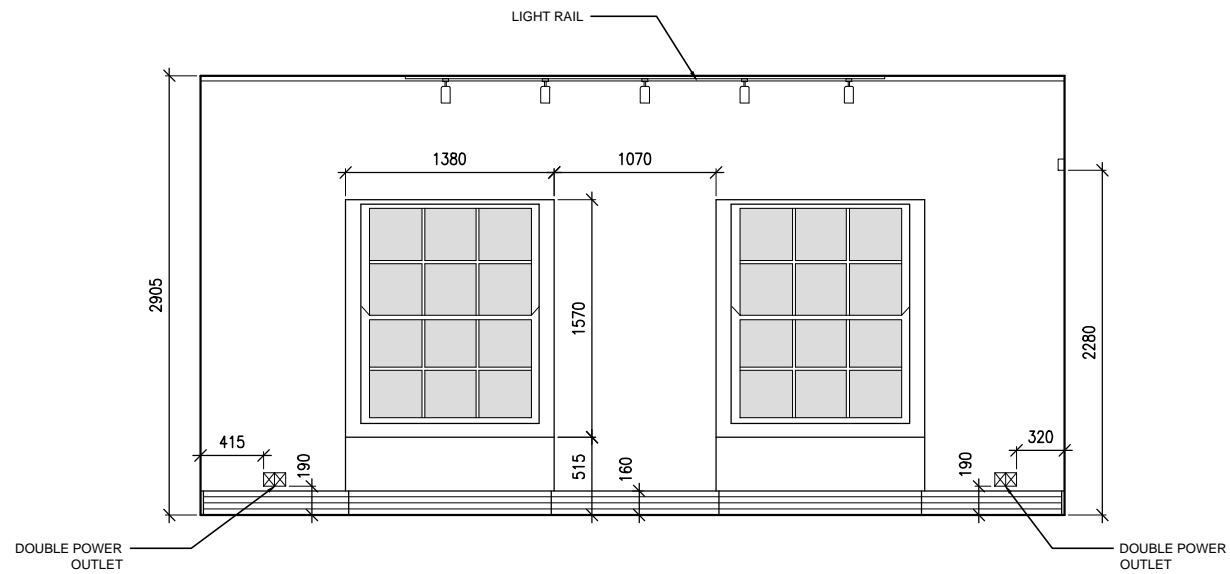
COPYRIGHT TO RL DESIGN SERVICES

| | |
|---|----------------|
| DRAWING STATUS | |
| DETAIL DRAWING | |
| NOTES | |
| <ul style="list-style-type: none"> DO NOT SCALE FROM THIS DRAWING CONTRACTOR IS RESPONSIBLE FOR CHECKING DIMENSIONS ON SITE | |
| REVISION | |
| PROJECT | |
| 19 Greek St London W1D 4DT | |
| DRAWING TITLE | |
| Third Floor Plans | |
| DATE | |
| DECEMBER 2018 | |
| DRAWN BY | SCALE |
| R LLOYD | 1:50 @ A3 |
| JOB NUMBER | DRAWING NUMBER |
| 1810JA | DE.09 |

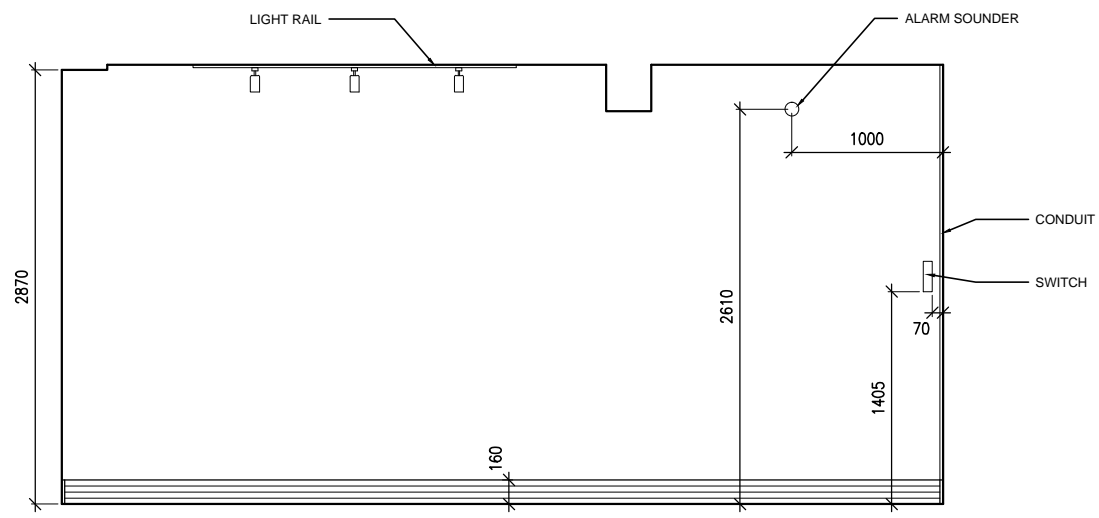




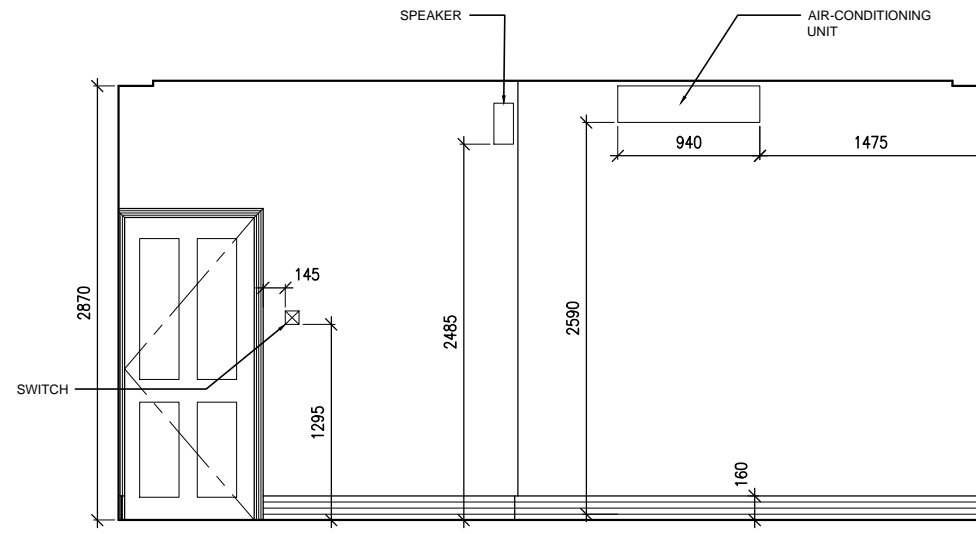
01 THIRD FLOOR ELEVATION A
SCALE 1:50 @ A3



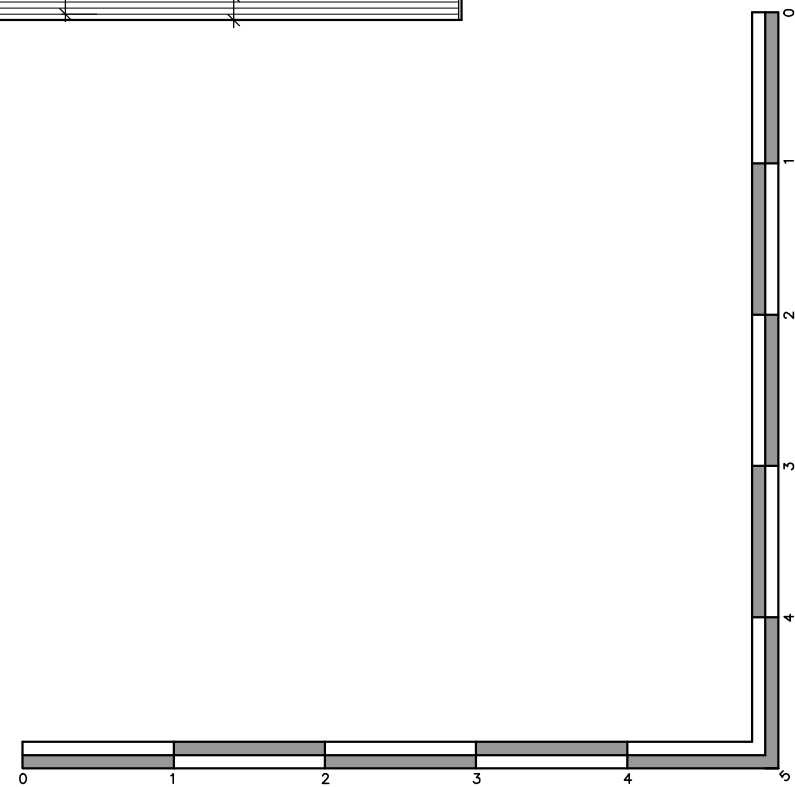
02 THIRD FLOOR ELEVATION B
SCALE 1:50 @ A3



03 THIRD FLOOR ELEVATION C
SCALE 1:50 @ A3

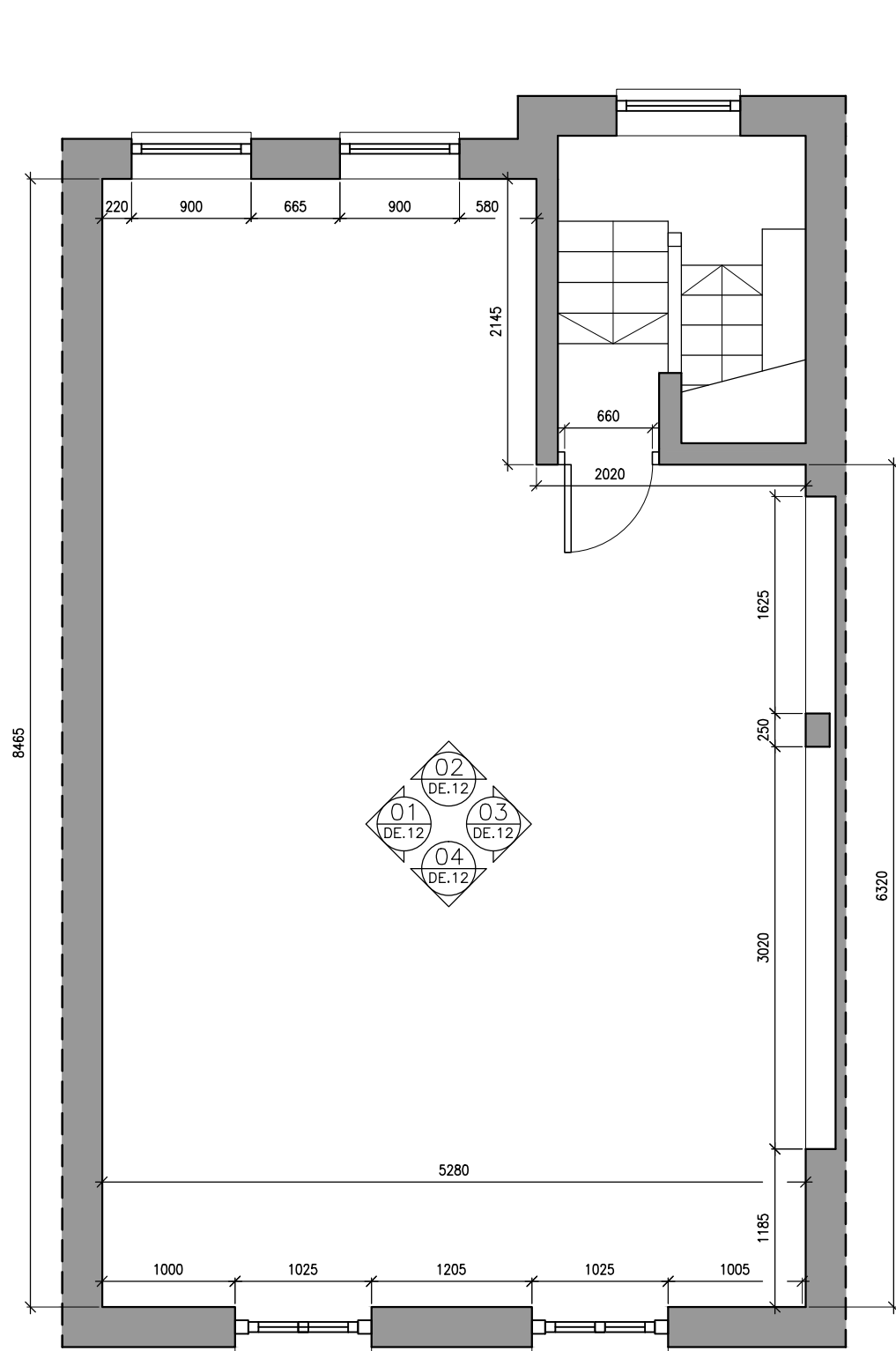


04 THIRD FLOOR ELEVATION D
SCALE 1:50 @ A3

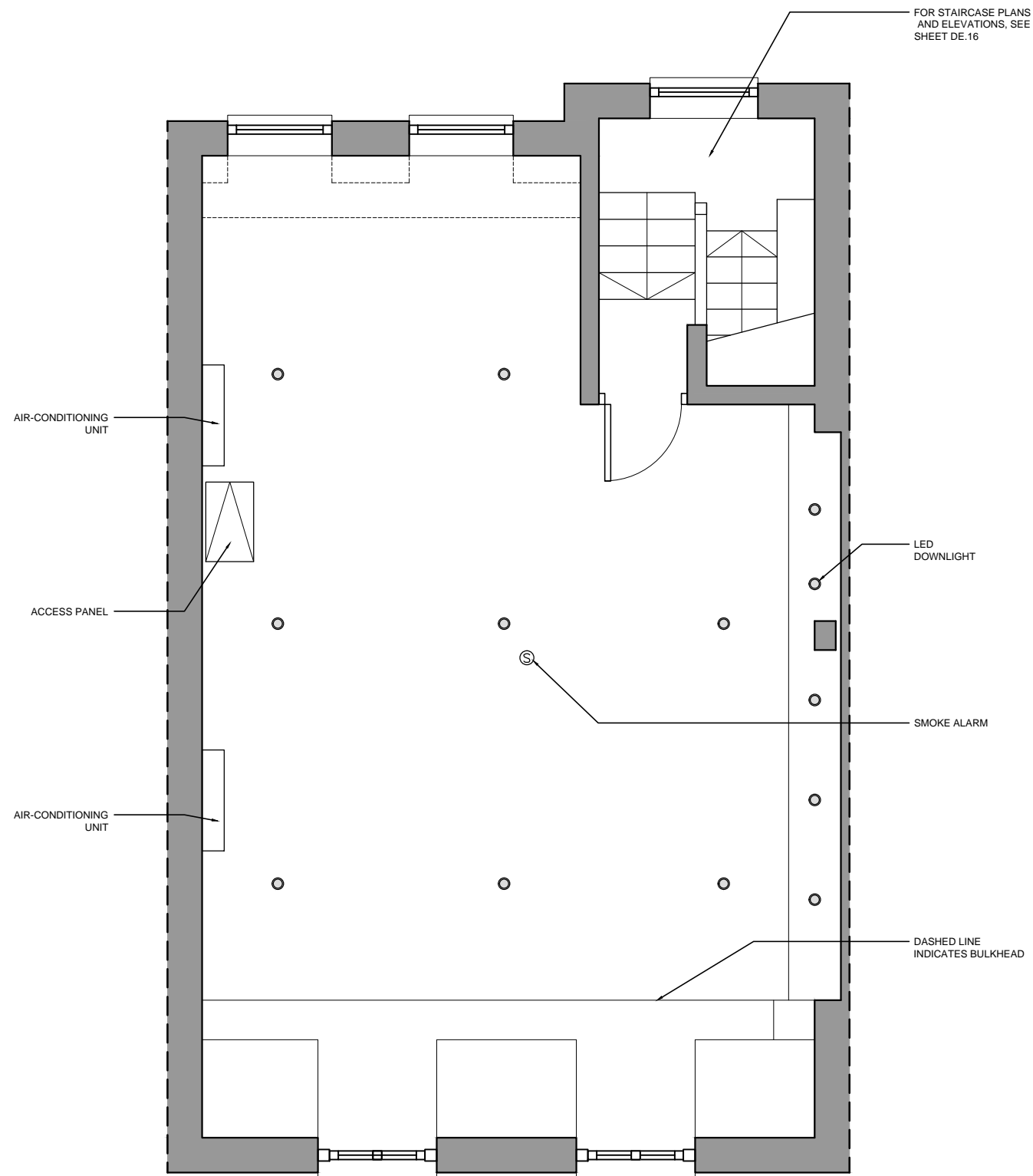


COPYRIGHT TO RL DESIGN SERVICES

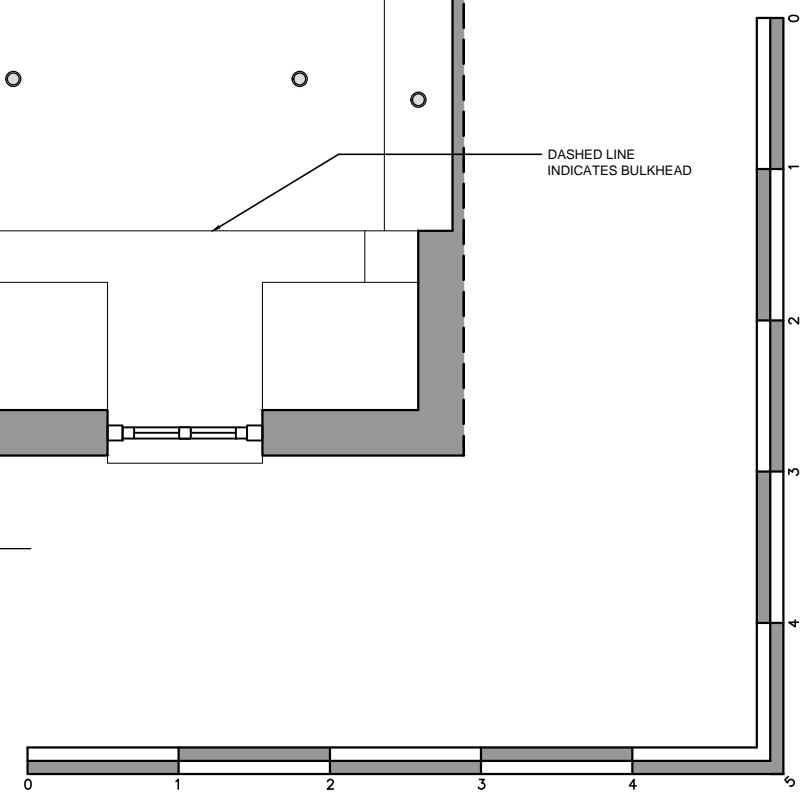
| | |
|---|----------------|
| DRAWING STATUS | |
| DETAIL DRAWING | |
| NOTES | |
| <ul style="list-style-type: none"> DO NOT SCALE FROM THIS DRAWING CONTRACTOR IS RESPONSIBLE FOR CHECKING DIMENSIONS ON SITE | |
| REVISION | |
| PROJECT | |
| 19 Greek St London W1D 4DT | |
| DRAWING TITLE | |
| Third Floor Elevations | |
| DATE | |
| DECEMBER 2018 | |
| DRAWN BY | SCALE |
| R LLOYD | 1:50 @ A3 |
| JOB NUMBER | DRAWING NUMBER |
| 1810JA | DE.10 |



01 FOURTH FLOOR PLAN
SCALE 1:50 @ A3

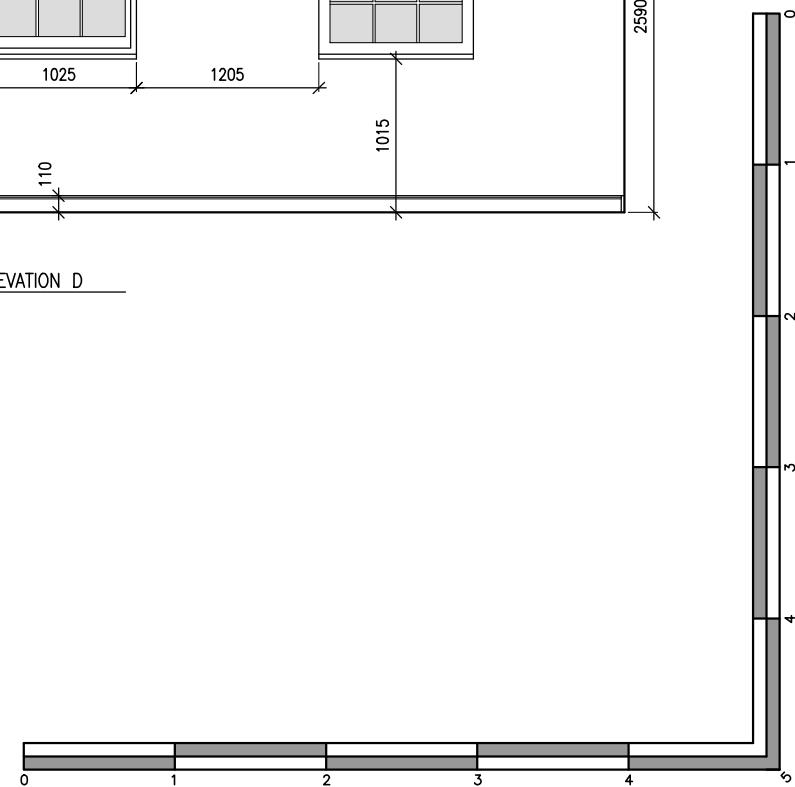
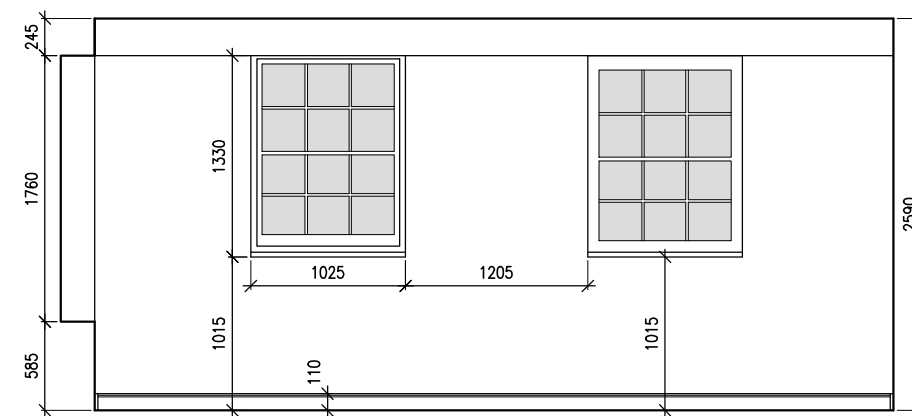
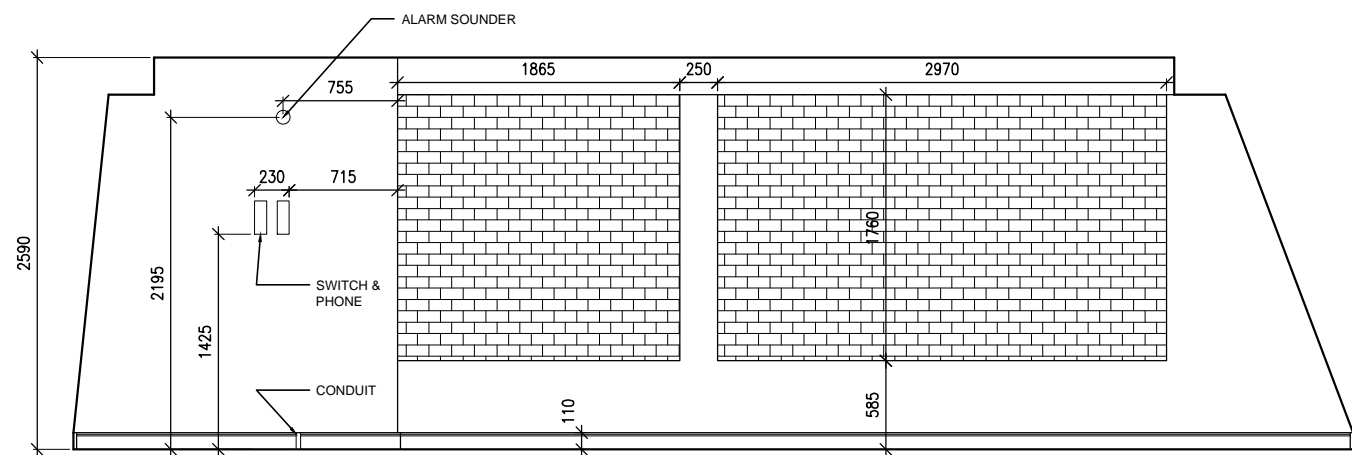
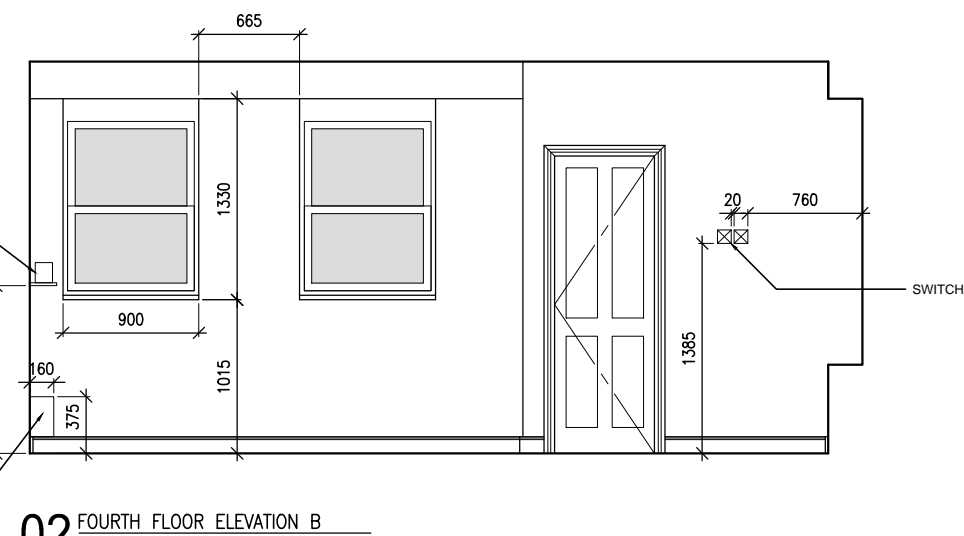
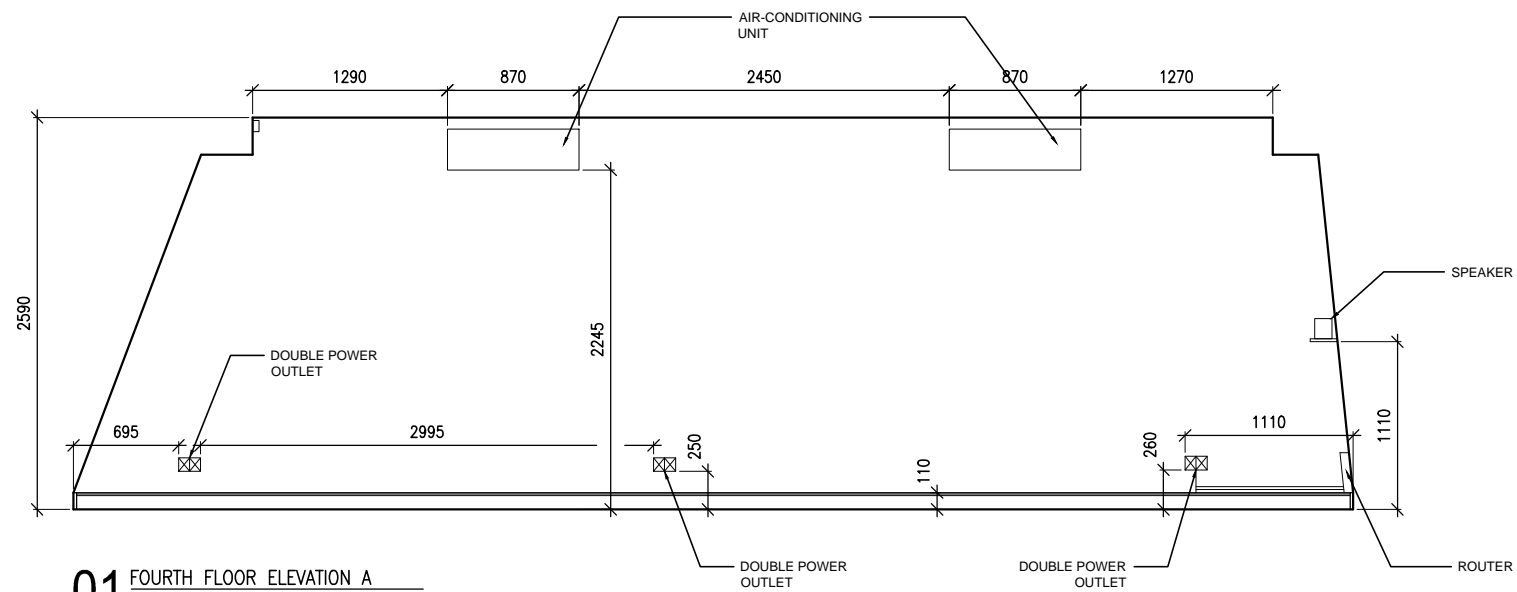


02 FOURTH FLOOR REFLECTED CEILING PLAN
SCALE 1:50 @ A3



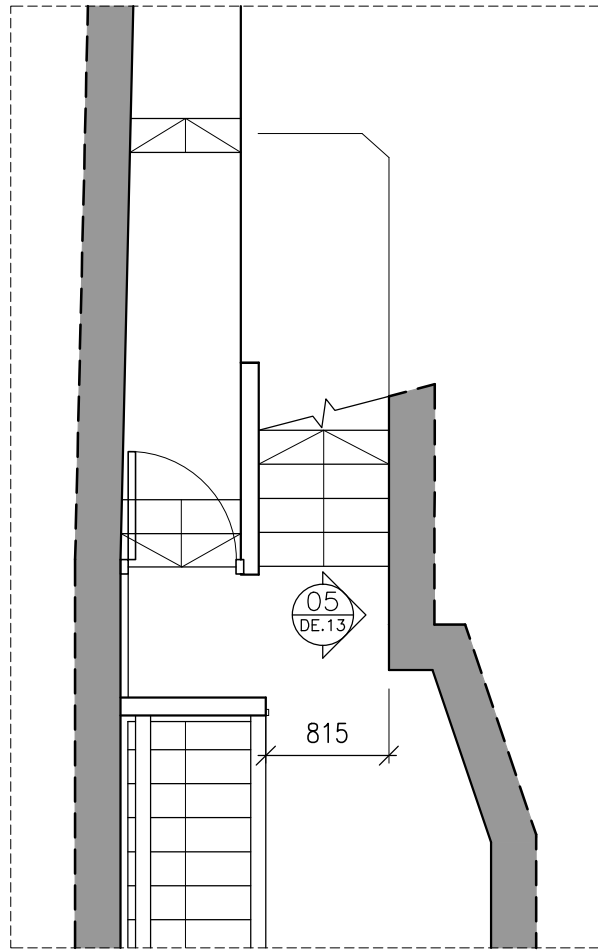
COPYRIGHT TO RL DESIGN SERVICES

| | |
|--|----------------|
| DRAWING STATUS | |
| DETAIL DRAWING | |
| NOTES | |
| <ul style="list-style-type: none"> • DO NOT SCALE FROM THIS DRAWING • CONTRACTOR IS RESPONSIBLE FOR • CHECKING DIMENSIONS ON SITE | |
| REVISION | |
| PROJECT | |
| 19 Greek St London W1D 4DT | |
| DRAWING TITLE | |
| Fourth Floor Plans | |
| DATE | |
| DECEMBER 2018 | |
| DRAWN BY | SCALE |
| R LLOYD | 1:50 @ A3 |
| JOB NUMBER | DRAWING NUMBER |
| 1810JA | DE.11 |

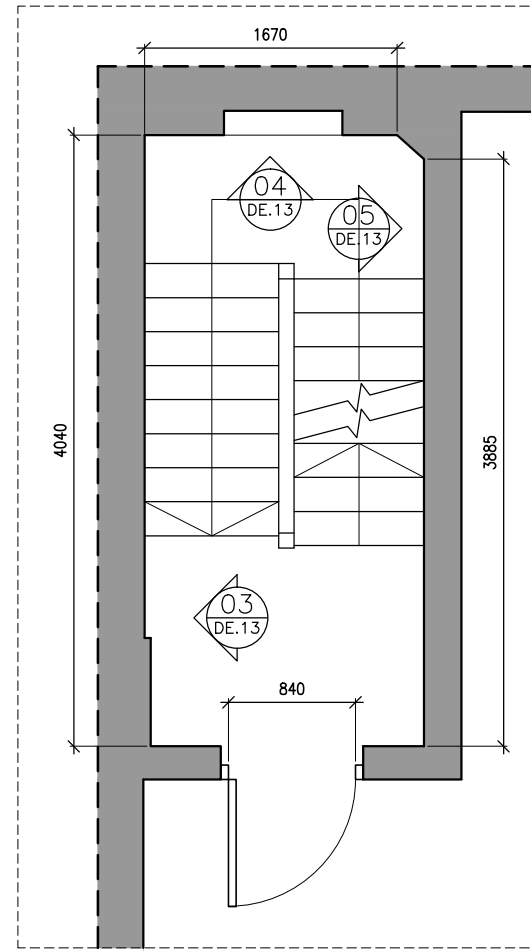


COPYRIGHT TO RL DESIGN SERVICES

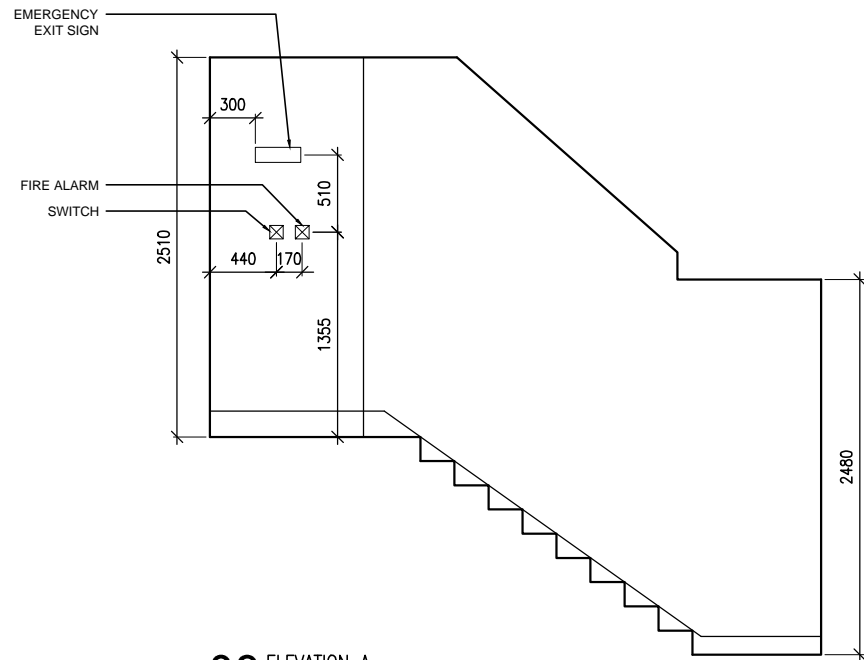
| | |
|--|----------------|
| DRAWING STATUS | |
| DETAIL DRAWING | |
| NOTES | |
| <ul style="list-style-type: none"> • DO NOT SCALE FROM THIS DRAWING • CONTRACTOR IS RESPONSIBLE FOR • CHECKING DIMENSIONS ON SITE | |
| REVISION | |
| PROJECT | |
| 19 Greek St London W1D 4DT | |
| DRAWING TITLE | |
| Fourth Floor Elevations | |
| DATE | |
| DECEMBER 2018 | |
| DRAWN BY | SCALE |
| R LLOYD | 1:50 @ A3 |
| JOB NUMBER | DRAWING NUMBER |
| 1810JA | DE.12 |



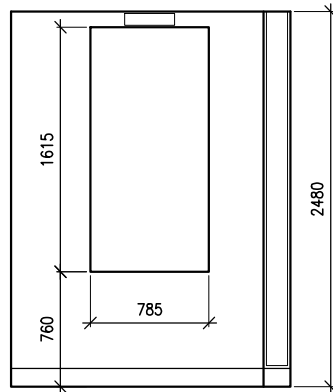
01 GROUND FLOOR STAIRWELL PLAN
SCALE 1:50 @ A3



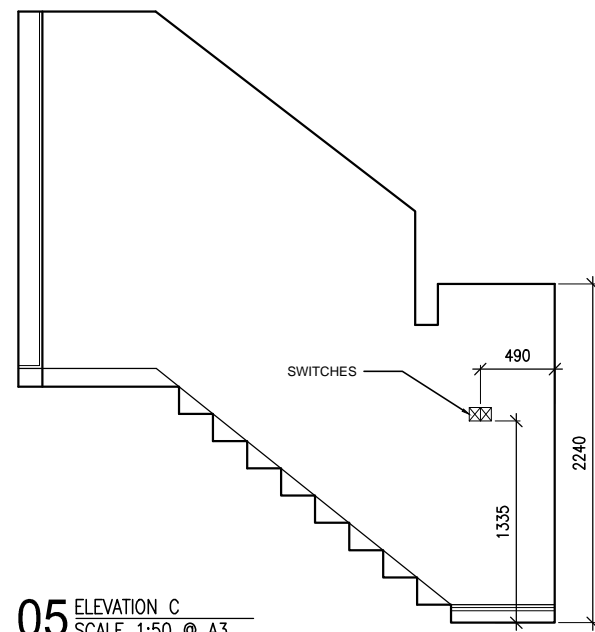
02 FIRST FLOOR STAIRWELL PLAN
SCALE 1:50 @ A3



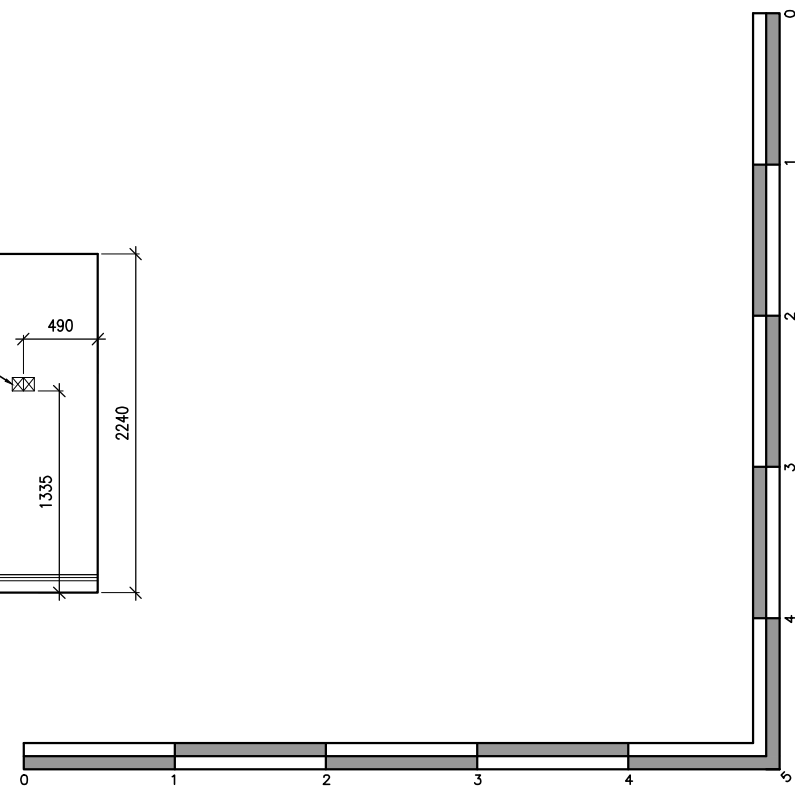
03 ELEVATION A
SCALE 1:50 @ A3



04 ELEVATION B
SCALE 1:50 @ A3

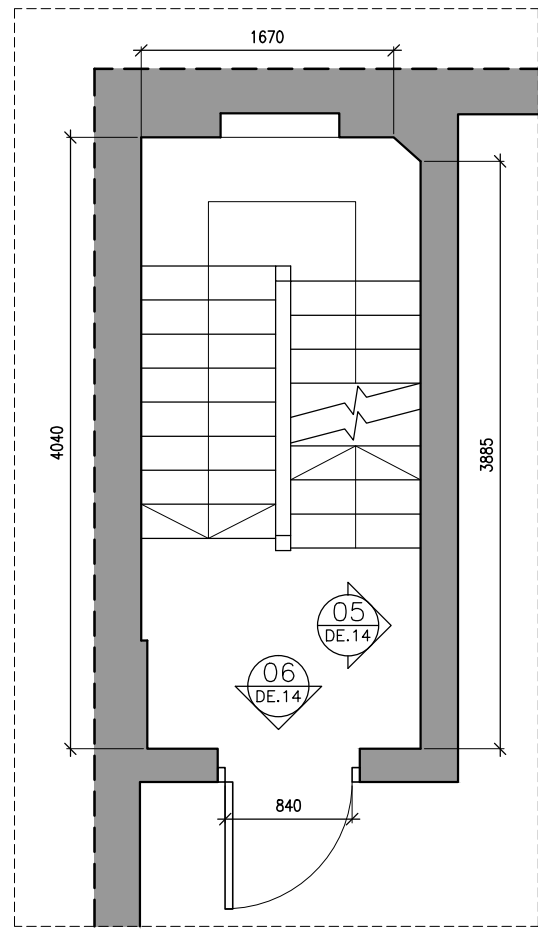


05 ELEVATION C
SCALE 1:50 @ A3

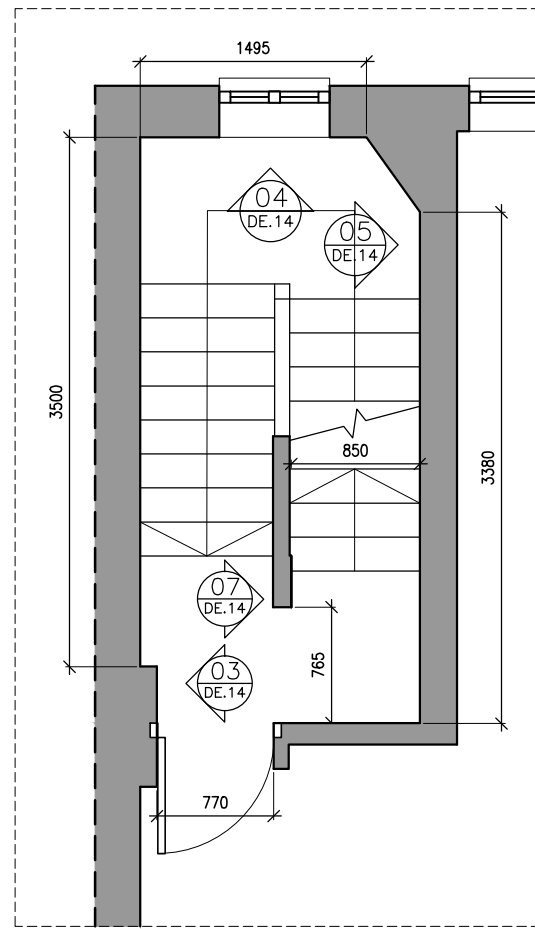


COPYRIGHT TO RL DESIGN SERVICES

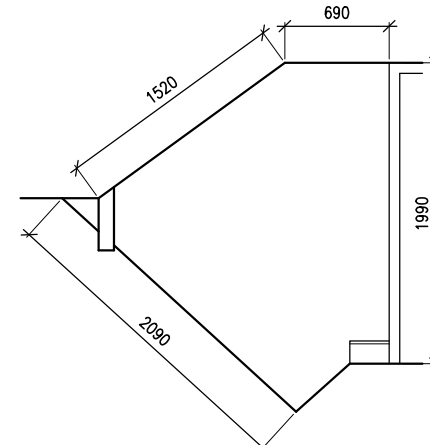
| | |
|--|----------------|
| DRAWING STATUS | |
| DETAIL DRAWING | |
| NOTES | |
| <ul style="list-style-type: none"> • DO NOT SCALE FROM THIS DRAWING • CONTRACTOR IS RESPONSIBLE FOR • CHECKING DIMENSIONS ON SITE | |
| REVISION | |
| PROJECT | |
| 19 Greek St London W1D 4DT | |
| DRAWING TITLE | |
| Ground/First Floor Staircase Plans & Elevations | |
| DATE | |
| DECEMBER 2018 | |
| DRAWN BY | SCALE |
| R LLOYD | 150 @ A3 |
| JOB NUMBER | DRAWING NUMBER |
| 1810JA | DE.13 |



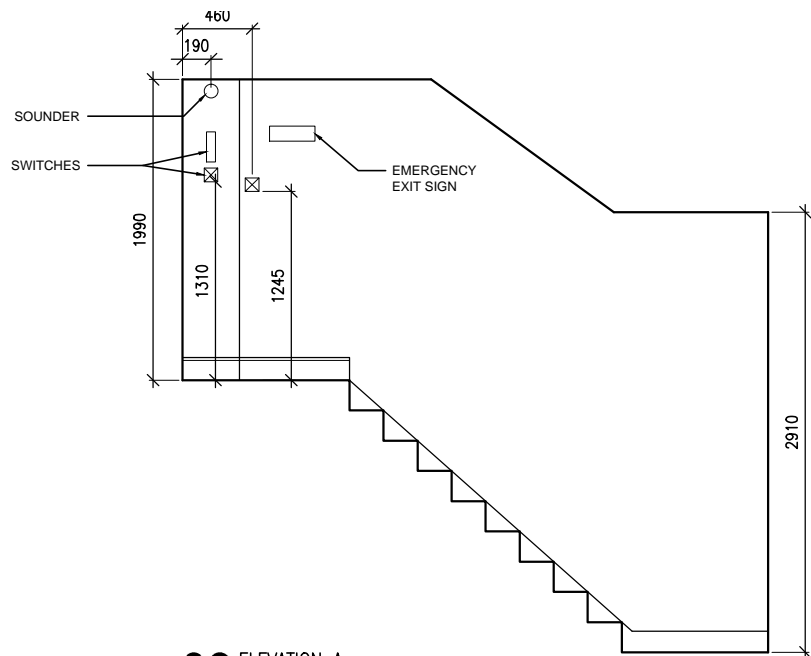
01 FIRST FLOOR STAIRWELL PLAN
SCALE 1:50 @ A3



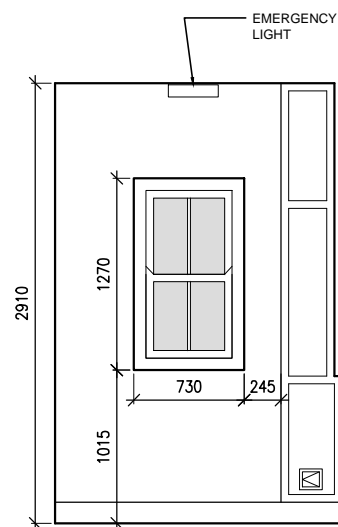
02 SECOND FLOOR STAIRWELL PLAN
SCALE 1:50 @ A3



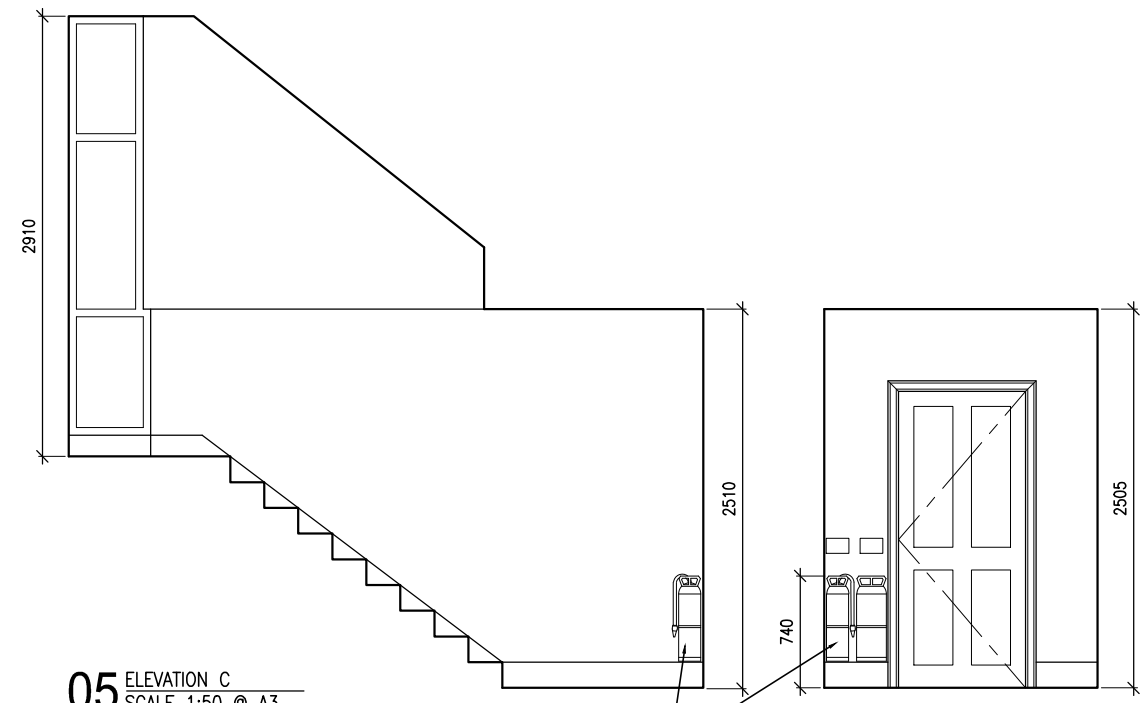
07 ELEVATION E
SCALE 1:50 @ A3



03 ELEVATION A
SCALE 1:50 @ A3



04 ELEVATION B
SCALE 1:50 @ A3

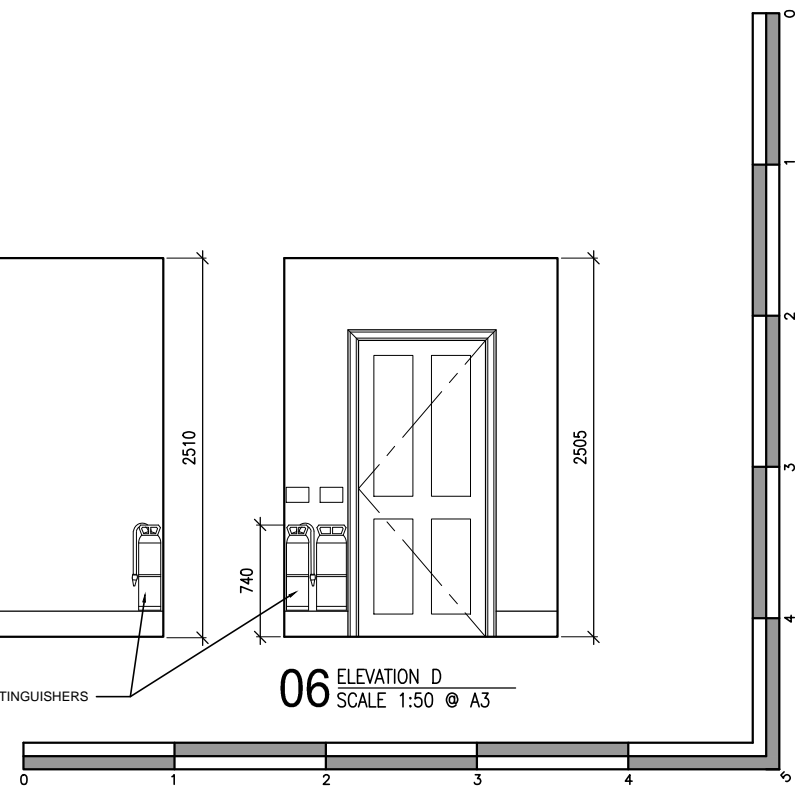


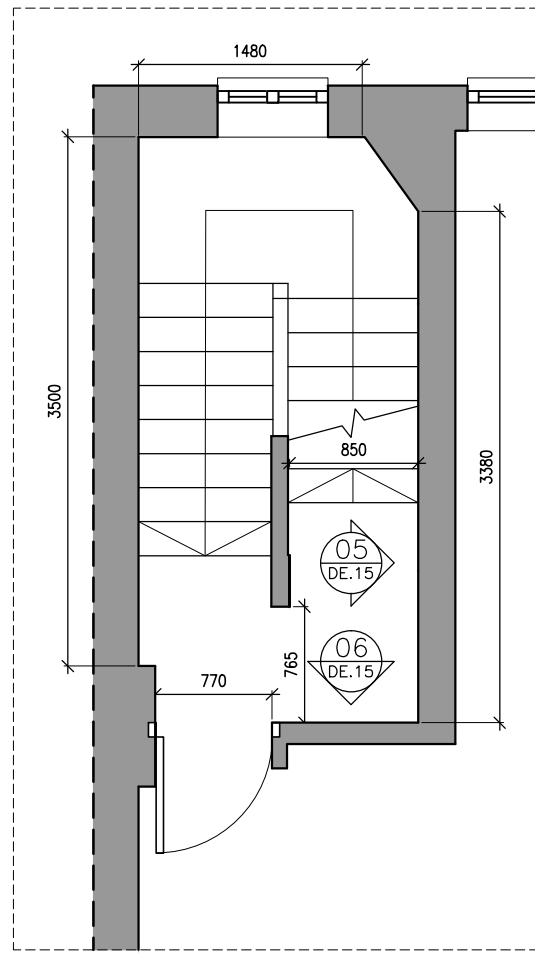
05 ELEVATION C
SCALE 1:50 @ A3

06 ELEVATION D
SCALE 1:50 @ A3

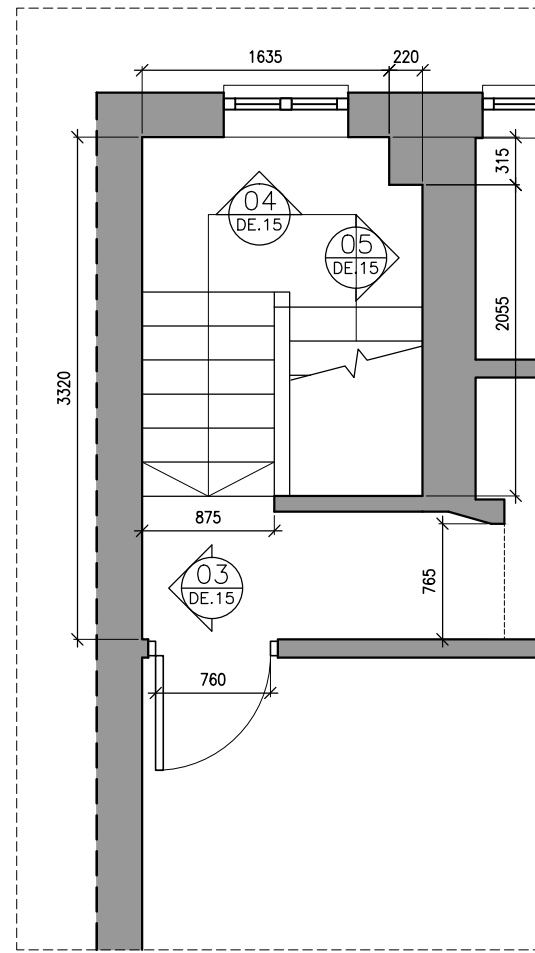
COPYRIGHT TO RL DESIGN SERVICES

| | |
|---|----------------|
| DRAWING STATUS | |
| DETAIL DRAWING | |
| NOTES | |
| <ul style="list-style-type: none"> DO NOT SCALE FROM THIS DRAWING CONTRACTOR IS RESPONSIBLE FOR CHECKING DIMENSIONS ON SITE | |
| REVISION | |
| PROJECT | |
| 19 Greek St London W1D 4DT | |
| DRAWING TITLE | |
| First/Second Floor Staircase Plans & Elevations | |
| DATE | |
| DECEMBER 2018 | |
| DRAWN BY | SCALE |
| R LLOYD | 1:50 @ A3 |
| JOB NUMBER | DRAWING NUMBER |
| 1810JA | DE.14 |

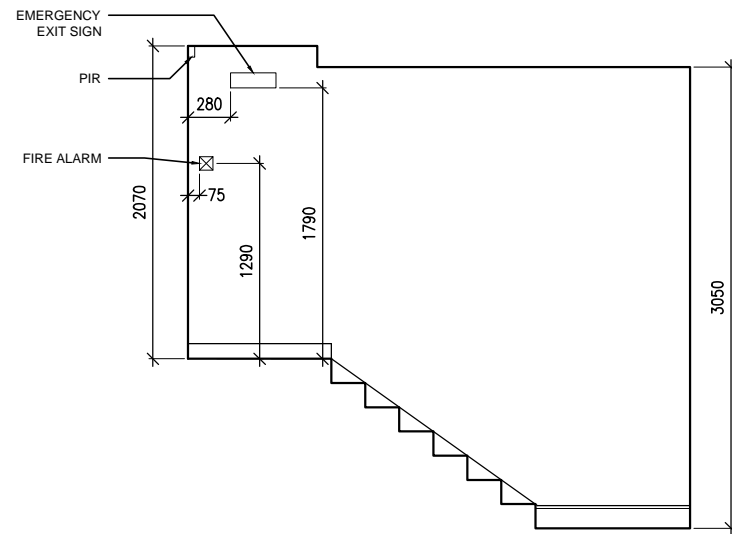




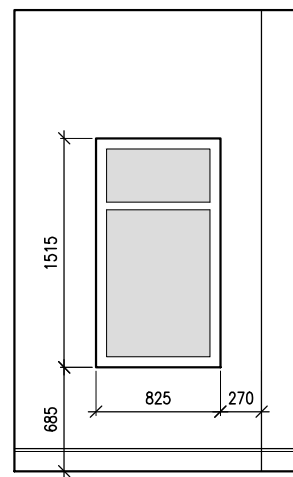
01 SECOND FLOOR STAIRWELL PLAN
SCALE 1:50 @ A3



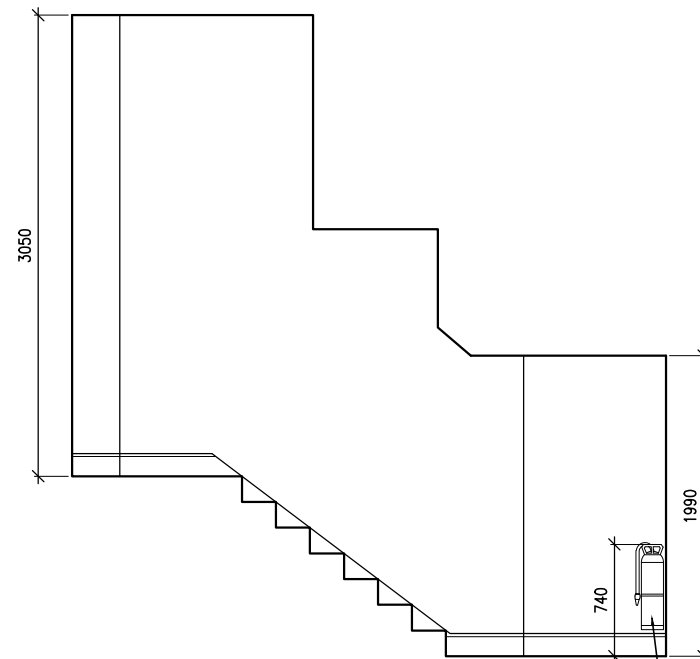
02 THIRD FLOOR STAIRWELL PLAN
SCALE 1:50 @ A3



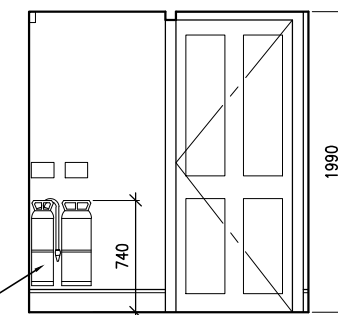
03 ELEVATION A
SCALE 1:50 @ A3



04 ELEVATION B
SCALE 1:50 @ A3



05 ELEVATION C
SCALE 1:50 @ A3

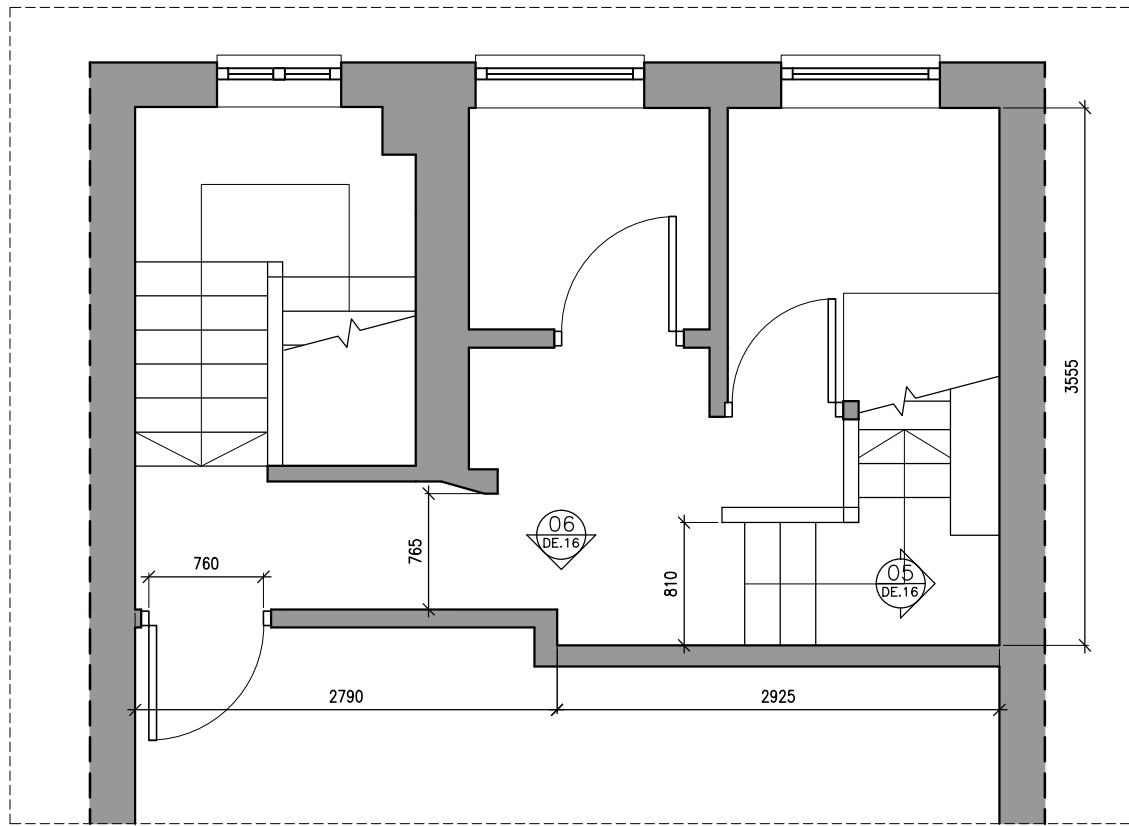


06 ELEVATION D
SCALE 1:50 @ A3

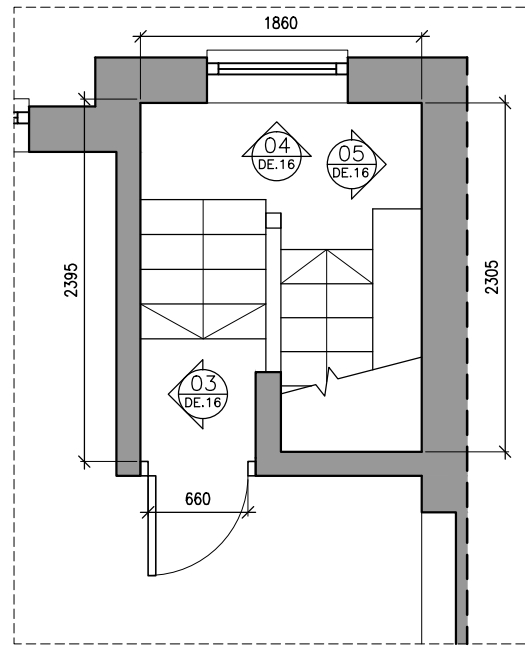


COPYRIGHT TO RL DESIGN SERVICES

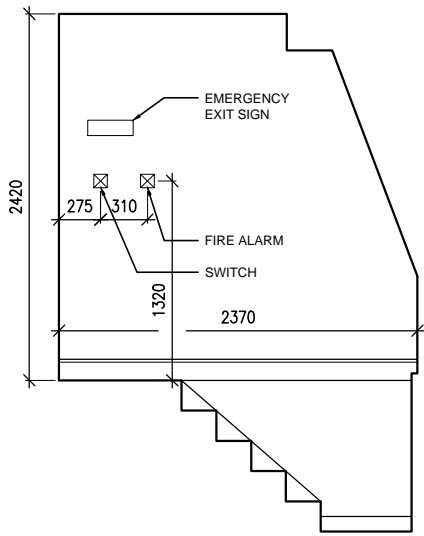
| | |
|--|----------------|
| DRAWING STATUS | |
| DETAIL DRAWING | |
| NOTES | |
| <ul style="list-style-type: none"> DO NOT SCALE FROM THIS DRAWING CONTRACTOR IS RESPONSIBLE FOR CHECKING DIMENSIONS ON SITE | |
| REVISION | |
| PROJECT | |
| 19 Greek St London W1D 4DT | |
| DRAWING TITLE | |
| Second/Third Floor Staircase Plans & Elevations | |
| DATE | |
| DECEMBER 2018 | |
| DRAWN BY | SCALE |
| R LLOYD | 1:50 @ A3 |
| JOB NUMBER | DRAWING NUMBER |
| 1810JA | DE.15 |



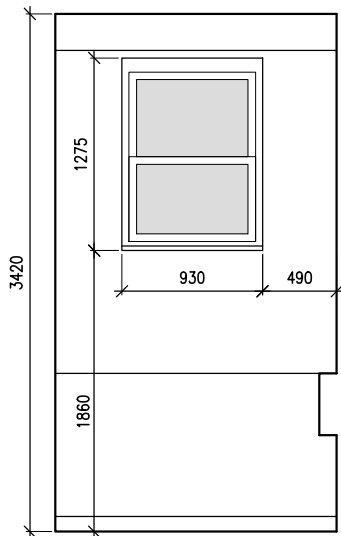
01 THIRD FLOOR STAIRWELL PLAN
SCALE 1:50 @ A3



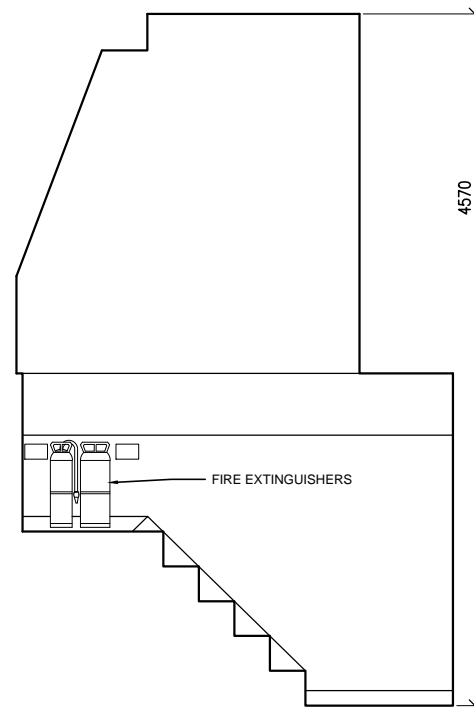
02 FOURTH FLOOR STAIRWELL PLAN
SCALE 1:50 @ A3



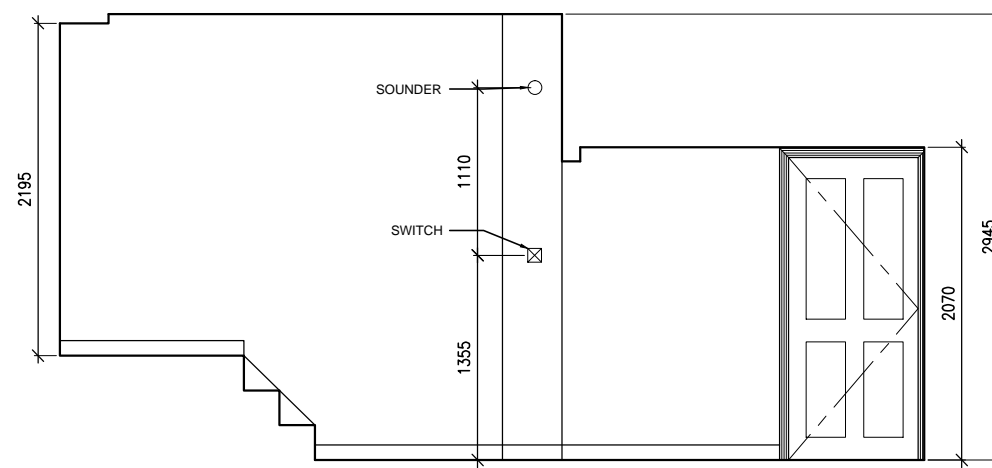
03 ELEVATION A
SCALE 1:50 @ A3



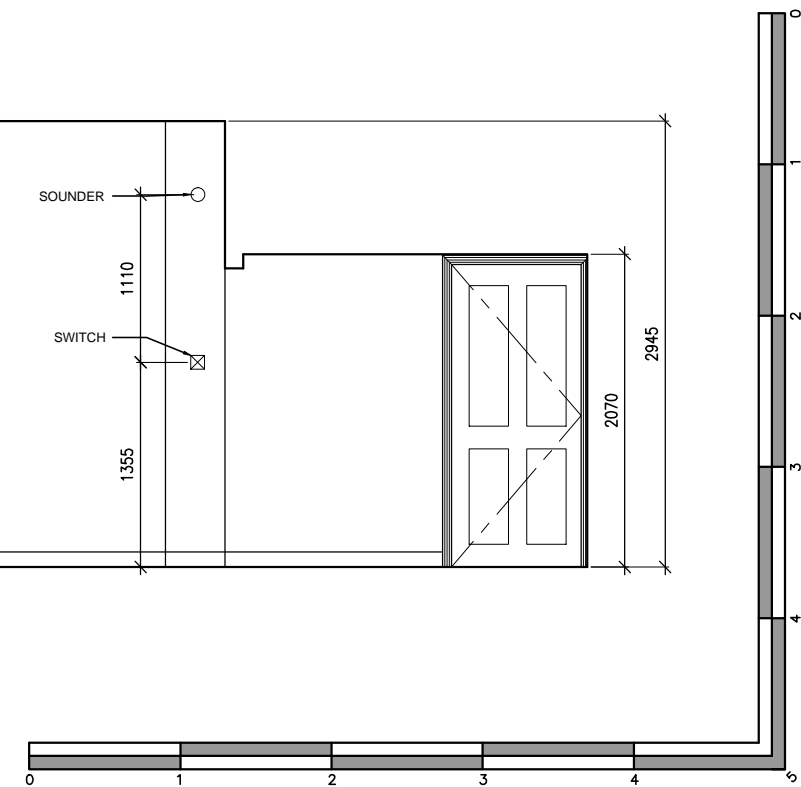
04 ELEVATION B
SCALE 1:50 @ A3



05 ELEVATION C
SCALE 1:50 @ A3



06 ELEVATION D
SCALE 1:50 @ A3



COPYRIGHT TO RL DESIGN SERVICES

| | |
|--|----------------|
| DRAWING STATUS | |
| DETAIL DRAWING | |
| NOTES | |
| <ul style="list-style-type: none"> • DO NOT SCALE FROM THIS DRAWING • CONTRACTOR IS RESPONSIBLE FOR • CHECKING DIMENSIONS ON SITE | |
| REVISION | |
| PROJECT | |
| 19 Greek St London W1D 4DT | |
| DRAWING TITLE | |
| Third/Fourth Floor Staircase Plans & Elevations | |
| DATE | |
| DECEMBER 2018 | |
| DRAWN BY | SCALE |
| R LLOYD | 1:50 @ A3 |
| JOB NUMBER | DRAWING NUMBER |
| 1810JA | DE.16 |